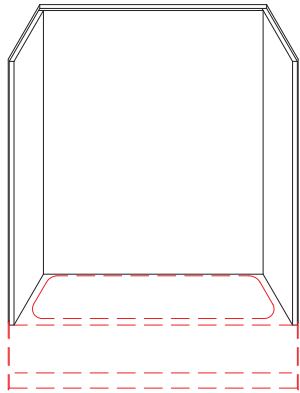


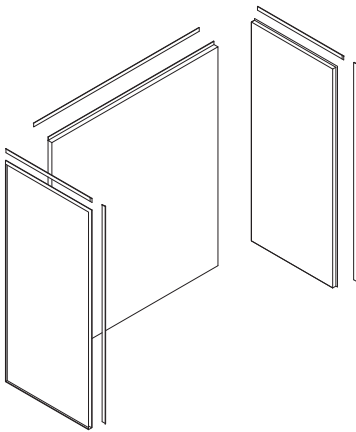
# MODEL: 3SWSUB6030\*

# REMODELER

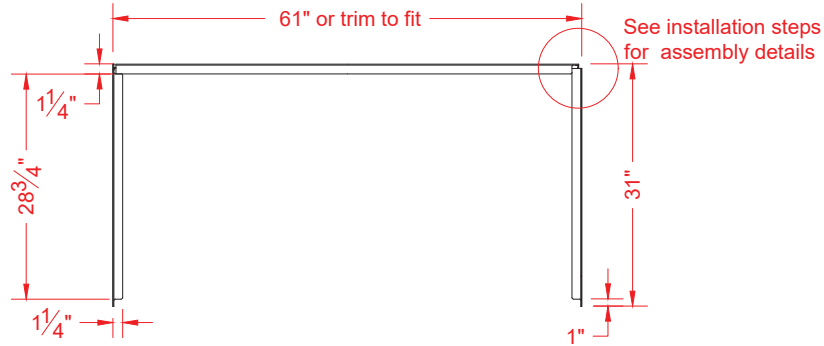
\*ALL ACCESSORIES OPTIONAL



PERSPECTIVE VIEW - N.T.S.



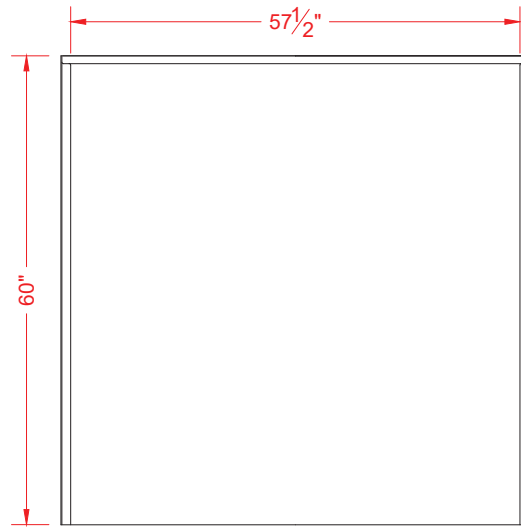
ASSEMBLY VIEW - N.T.S.



TOP VIEW - SCALE  $\frac{3}{8}'' = 1'-0''$

## Features:

- Molded, gelcoat/fiberglass three-piece tub surround
- Smooth wall finish, white (standard)
- Integral full wood backing for strength and unlimited accessory placement
- Designed to allow cutting of the back wall to fit framing pocket width variations with a patented spring clip system to interlock the corners.



FRONT ELEVATION - SCALE:  $\frac{3}{8}'' = 1'-0''$

## PRODUCT SPECIFICATIONS:

- Multi-piece universal wall surround system for bathtubs shall be of gelcoat / fiberglass construction with integral full plywood backing.
- Backwall width shall be adjustable by trimming one end.
- Corners interlock through a system of spring clips, that lock with construction adhesive.

C.S.I. FORMAT SPECIFICATION TEXT AVAILABLE

## PRODUCT INFORMATION:

- Accessories: Factory installed, unless prone to damage during installation/shipping. Polished chrome/satin stainless standard, others available.
- Colors: White as standard, others to match any major fixture manufacturer, also available with sprayable solid surface in many colors

## OPTIONAL ACCESSORIES:

### INSTALLED BY OTHERS:

- Grab bar
- Soap dish
- Mixing valve, pressure-balancing, lever handle, pre-plumbed tee to supply elbow
- Curtain rod brackets
- Curtain and rod
- Flange-window trim kits

## CODES:

Designed and manufactured in compliance with the following standards and codes:  
 -CSA B45.5 -11 / IAPMO Z124-11  
 Plastic Plumbing Fixtures

## NOTICE OF LIMITATION:



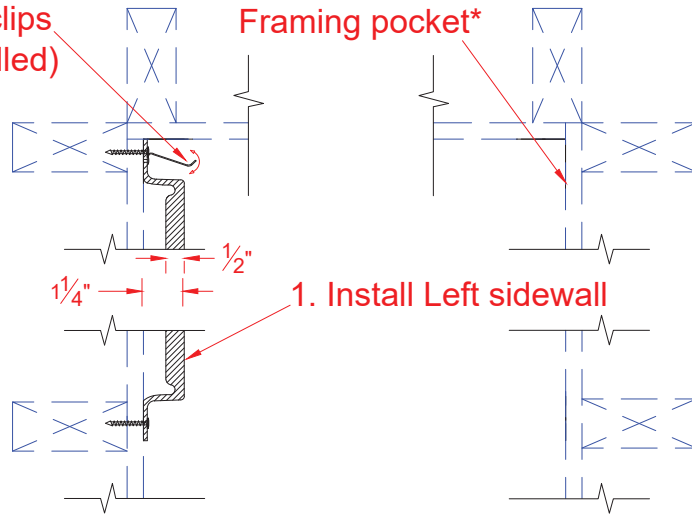
Architectural Products for Barrier Free Living  
 www.barrierfree.org (877) 717-7027

*We reserve the right to make revisions without notice in the design of fixtures or in packaging unless this right has specifically been waived at the time the order is accepted.*

3 ea Spring clips  
(factory installed)

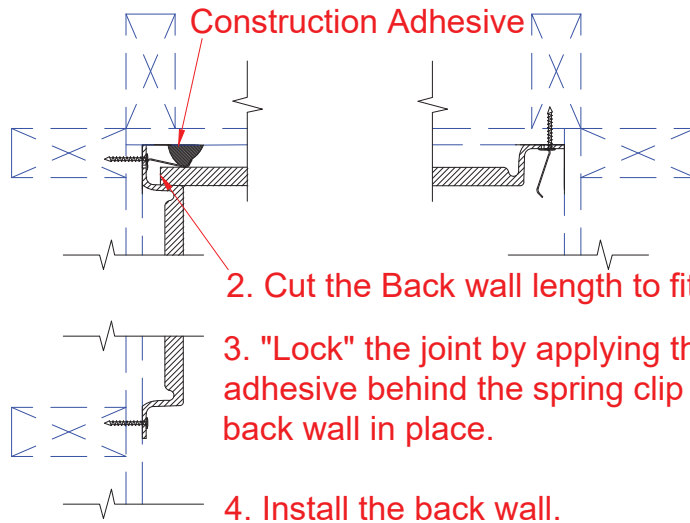
Framing pocket\*

\*Gypboard in framing pocket optional.



1. Install Left sidewall

Construction Adhesive



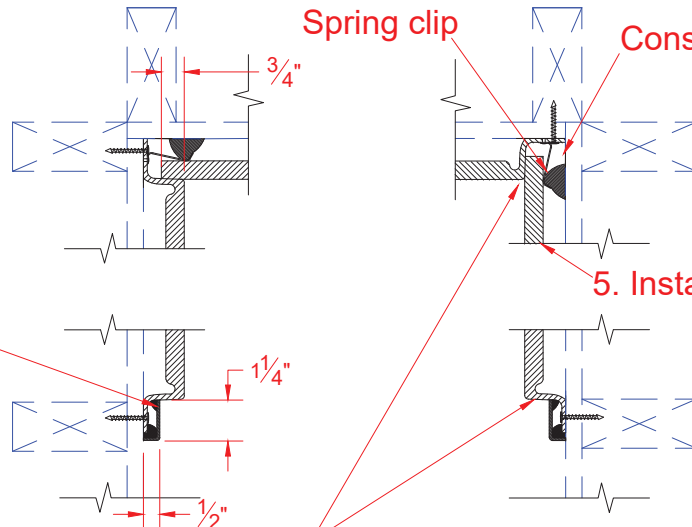
2. Cut the Back wall length to fit at this end.

3. "Lock" the joint by applying the supplied construction adhesive behind the spring clip just prior to slipping the back wall in place.

4. Install the back wall.

Spring clip

Construction Adhesive



5. Install the Right sidewall

6. Optional.  
Install Flange Trim  
with the supplied  
construction adhesive.

7. Caulk all joints between the panels, the flange trim and to the tub deck.