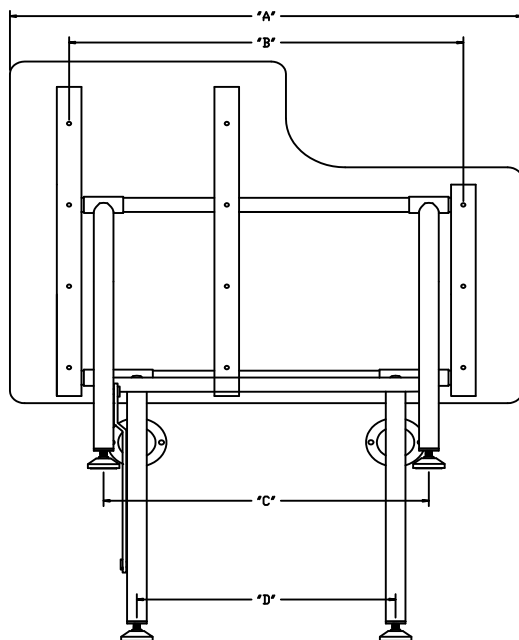
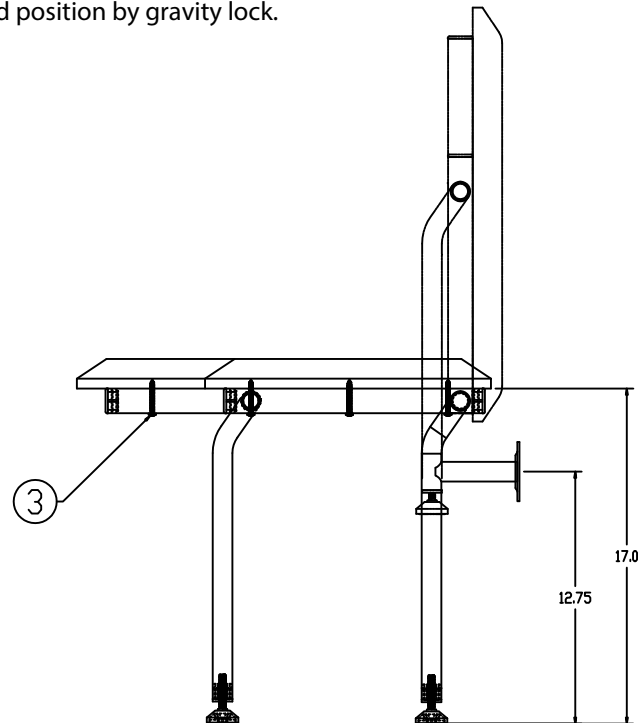
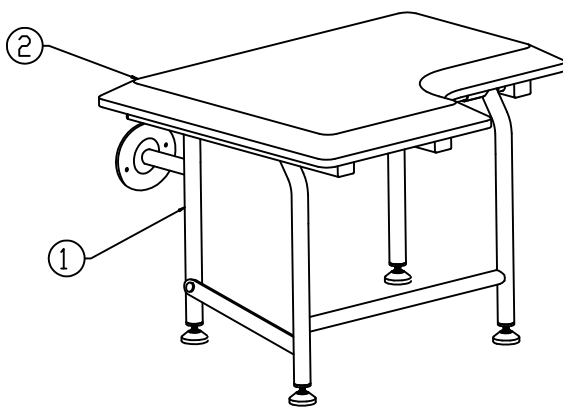


Shower Seat Installation Instruction

<u>DESCRIPTION</u>	<u>PRODUCT</u>	<u>MODEL NUMBER</u>
Padded Seat	Shower Seat W/Legs	60 / 61 / 62 / 63 SEATS W/ 4 LEGS

OPERATION: Constant friction wall mounted bracket guides "H" shaped leg to move freely up and down.
Seat is automatically held up in a raised position by gravity lock.



Installation

1. When the seat is in the useable position the seat top **MUST** be between 17" - 19" from the finished floor
2. Once seat is installed, adjust levelers so that there is approx a 2 degree rise from back to front. Tighten and secure locking nuts.
3. Shower seats must only be installed using appropriate fasteners and in-wall backing material as required by local building code prior to wall finishing.

Note: Elcoma seats are designed and tested to withstand 400 lbs of vertical load when properly installed.

Installation fasteners, anchors and blocks must be selected and used as per local code in order to function properly.