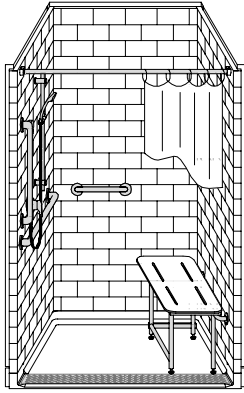


# MODEL: 4LBS24238A75FTB\*

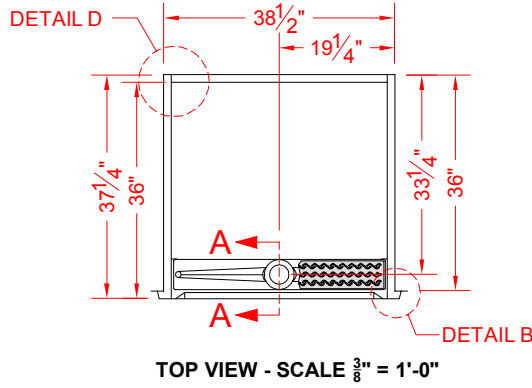


SEE OVER

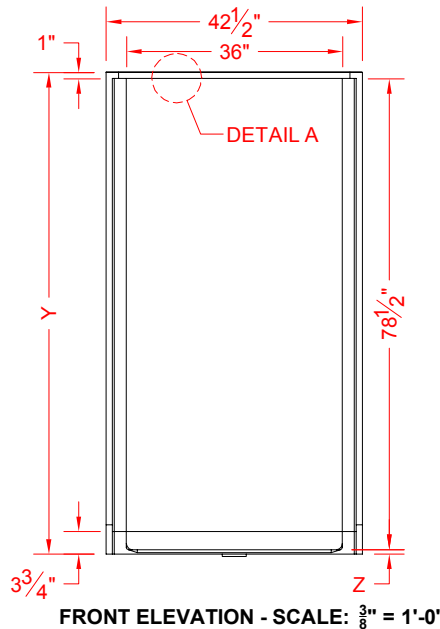
ALL ACCESSORIES OPTIONAL



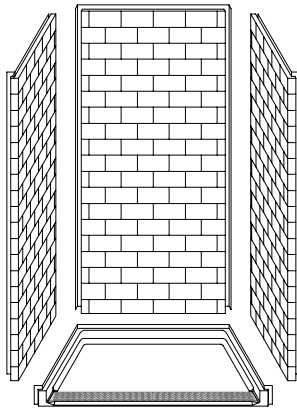
PERSPECTIVE VIEW - N.T.S.  
MODEL SHOWN HERE AS:  
LEFT PLUMBING  
RIGHT SEAT



TOP VIEW - SCALE  $\frac{3}{8}$ " = 1'-0"



FRONT ELEVATION - SCALE:  $\frac{3}{8}$ " = 1'-0"



ASSEMBLY VIEW - N.T.S.

## Features:

- ADA compliant, multi-piece transfer shower with a trench drain and stainless steel grate
- Available in various threshold heights
- Molded, four-piece gelcoat/fiberglass shower module
- "Subway Tile" wall finish, white (standard)
- Integral full wood backing for strength and unlimited accessory placement
- On all threshold heights 1-1/4" or shorter, no mud set is required, and an anchoring adhesive kit is supplied
- On all threshold heights 1-1/2" or taller, mud set is required

## \*OTHER THRESHOLD HEIGHTS AVAILABLE UPON REQUEST

MODEL #	UNIT HEIGHT	THRESHOLD HEIGHT
	Y	Z*
4LBS24238A75FTB	80-1/4"	3/4" MIN.
4LBS24238A2FTB	81-1/2"	2" MAX.

\* - SEE BACK FOR DETAIL SECTIONS

## PRODUCT SPECIFICATIONS:

- Multi-piece shower module shall be constructed of gelcoat/fiberglass with full integral plywood backing and trench drain under stainless steel drain grate.
- Rough-In: Stud opening +1/4" -0" Nominal Dimensions.

C.S.I. FORMAT SPECIFICATION TEXT AVAILABLE

## PRODUCT INFORMATION:

- Accessories: Factory installed, unless prone to damage during installation/shipping. Polished chrome/satin stainless standard, others available.
- Colors: White as standard, others to match any major fixture manufacturer, also available with sprayable solid surface in many colors
- Custom curb heights, other than shown, are available (between min. and max.)

## ACCESSORIES:

### INSTALLED BY OTHERS:

- Grab bar
- Seat, folding
- Mixing valve, pressure-balancing, lever handle, pre-plumbed tree to supply elbow
- Curtain and rod

## CODES:

- Designed and manufactured in compliance with the following standards and codes:
- A.N.S.I. Z124.2 Standards for Plastic Showers
  - I.P.C. International Plumbing Code
  - U.P.C. Uniform Plumbing Code
  - A.D.A. Accessibility Guidelines for Buildings and Facilities
  - A.N.S.I. A117.1 Accessible and Usable Buildings and Facilities

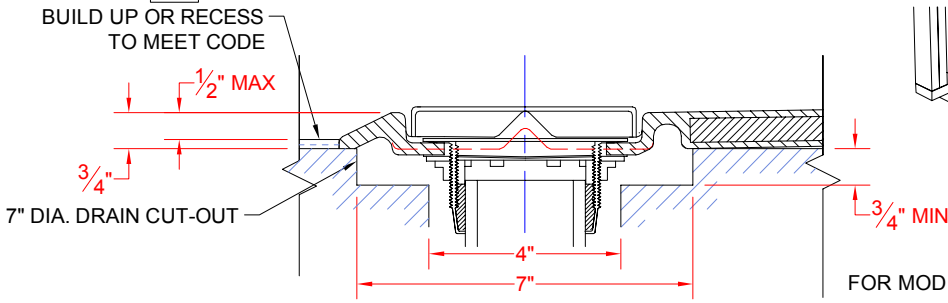
## NOTICE OF LIMITATION:

- Adhere to floor as required

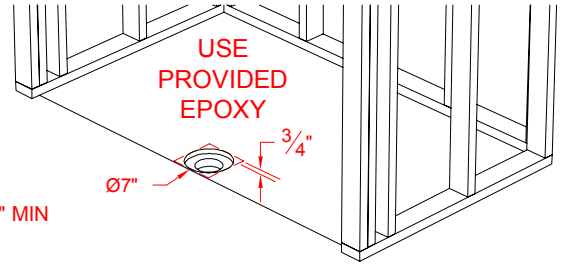


We reserve the right to make revisions without notice in the design of fixtures or in packaging unless this right has specifically been waived at the time the order is accepted.

**4LBS24238A75FTB**

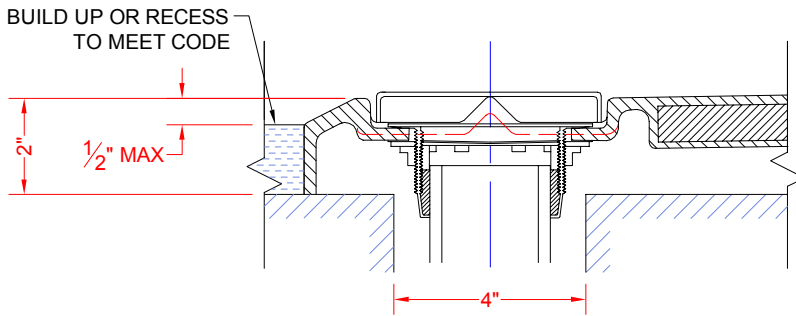


**SECTION A-A - SCALE: 3" = 1'-0"**

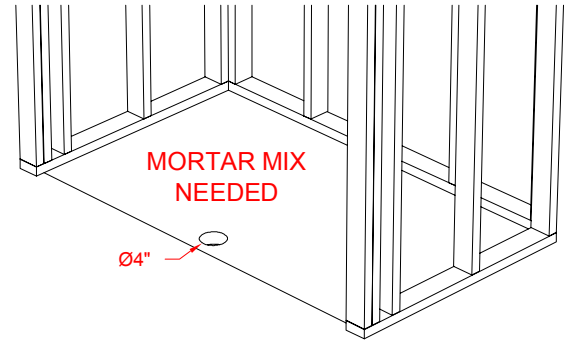


FOR MODELS ENDING IN 75FTB, 1FTB, OR A12FTB, INSTALLATION REQUIRES A 7" DIAMETER (OR 7" x 7" SQ) x 3/4" CUT-OUT.

**4LBS24238A2FTB**



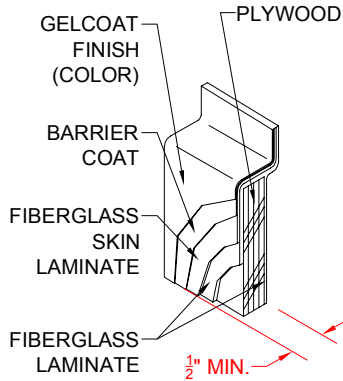
**SECTION A-A - SCALE: 3" = 1'-0"**



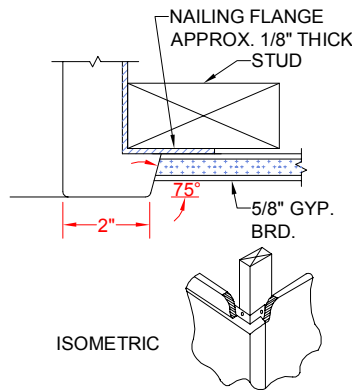
FOR MODELS ENDING IN 15FTB, 17FTB, OR 2FTB, INSTALLATION REQUIRES A 4" DRAIN HOLE.

**\*\*OTHER THRESHOLD HEIGHTS AVAILABLE UPON REQUEST\*\***

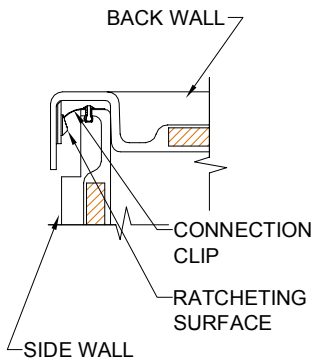
SHOWN AS INSTALLED WITH SOLID BRASS, NO-CAULK DRAIN FITTING (INCLUDED, INSTALLED BY OTHERS)



**DETAIL A - SCALE: N.T.S.  
WALL SECTION DETAIL**



**DETAIL B - SCALE: N.T.S.  
REVEAL DETAIL**



**DETAIL D - SCALE: N.T.S.  
WALL JOINT DETAIL**