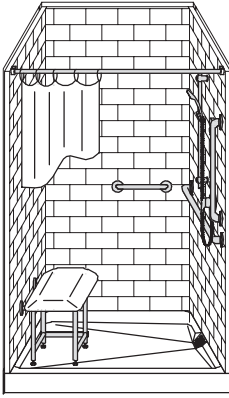


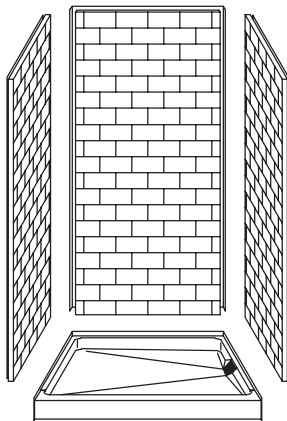
MODEL: 4LBS3838FBSD* L/R

REMODELER

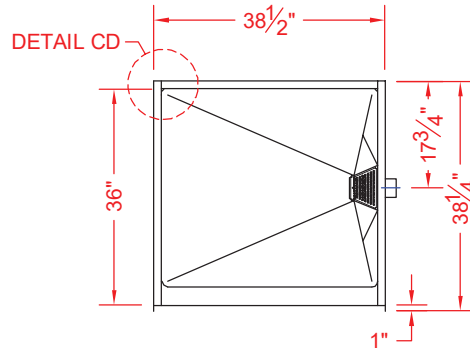
*ALL ACCESSORIES OPTIONAL



PERSPECTIVE VIEW - N.T.S.
MODEL SHOWN HERE AS:
 RIGHT PLUMBING
 LEFT SEAT
 RIGHT DRAIN



ASSEMBLY VIEW - N.T.S.

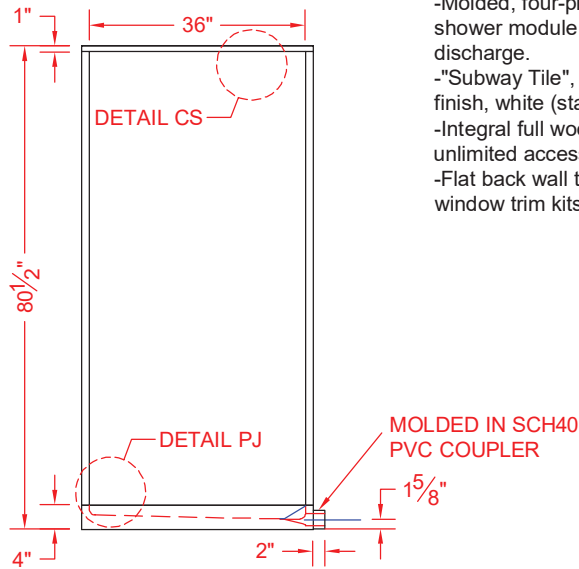


TOP VIEW - SCALE $\frac{3}{8}'' = 1'-0''$



Features:

- Molded, four-piece gelcoat/fiberglass shower module with SCH40 PVC side discharge.
- "Subway Tile", 4" x 8" simulated tile wall finish, white (standard)
- Integral full wood backing for strength and unlimited accessory placement
- Flat back wall to avoid interference for window trim kits, grab bars, etc.



FRONT ELEVATION - SCALE: $\frac{3}{8}'' = 1'-0''$

PRODUCT SPECIFICATIONS:

- Multi-piece shower module shall be constructed of gelcoat/fiberglass with full integral plywood backing in the walls
- Door opening: 36" x 75-1/4"
- Rough-In: Stud opening +1/4" -0" Nominal Dimensions.
- C.S.I. FORMAT SPECIFICATION TEXT AVAILABLE

PRODUCT INFORMATION:

- Accessories: Polished chrome/satin stainless standard, others available.
- Colors: White as standard, others to match any major fixture manufacturer, also available with sprayable solid surface in many colors

OPTIONAL ACCESSORIES:

INSTALLED BY OTHERS:

- Seat, folding
- Grab bar
- Soap dish
- Mixing valve, pressure-balancing, lever handle, pre-plumbed tree to supply elbow
- Curtain rod brackets
- Curtain and rod
- Flange-Window trim kits
- No-caulk brass drain

CODES:

- Designed and manufactured in compliance with the following standards and codes:
- ANSI Z124.2 Standards for Plastic Showers
 - IPC International Plumbing Code
 - UPC Uniform Plumbing Code

NOTICE OF LIMITATION:

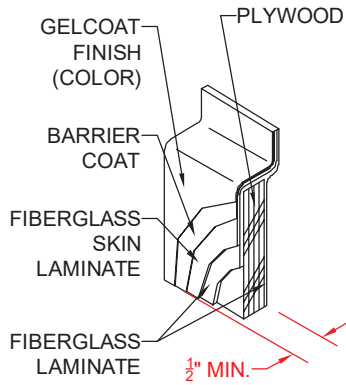
- Adhere to floor as required



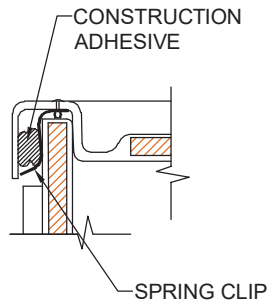
Architectural Products for Barrier Free Living

www.barrierfree.org (877) 717-7027

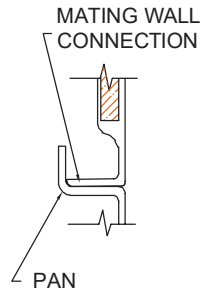
We reserve the right to make revisions without notice in the design of fixtures or in packaging unless this right has specifically been waived at the time the order is accepted.



DETAIL CS - SCALE: 3" = 1'-0"
CROSS SECTION DETAIL



DETAIL CD - SCALE: NTS
CORNER JOINT DETAIL



DETAIL PJ - SCALE: NTS
PAN JOINT DETAIL