



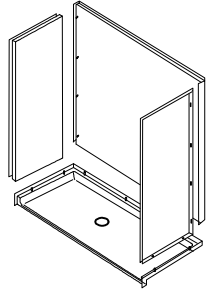
CA TITLE 24
COMPLIANT

APPRVD
BY
ENG

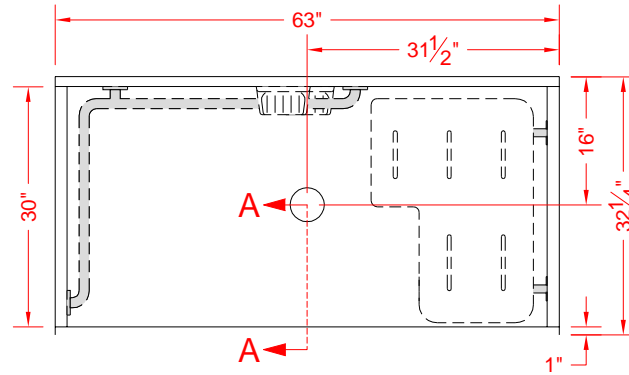
COMMERCIAL GRADE

ACCESSIBLE

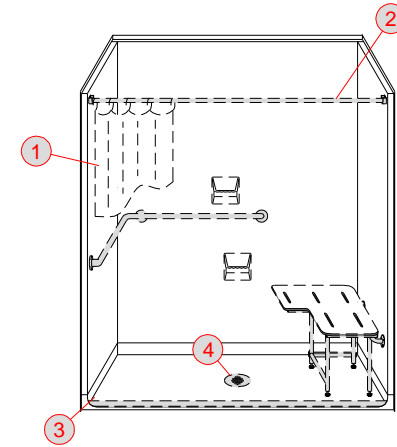
MASTER



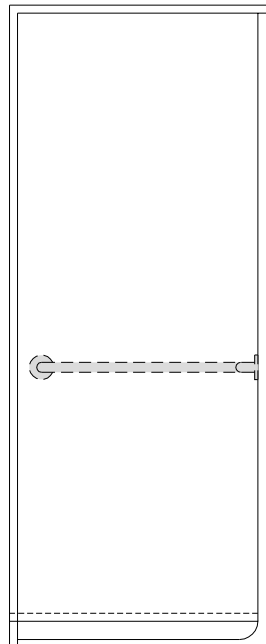
ASSEMBLY VIEW - N.T.S.



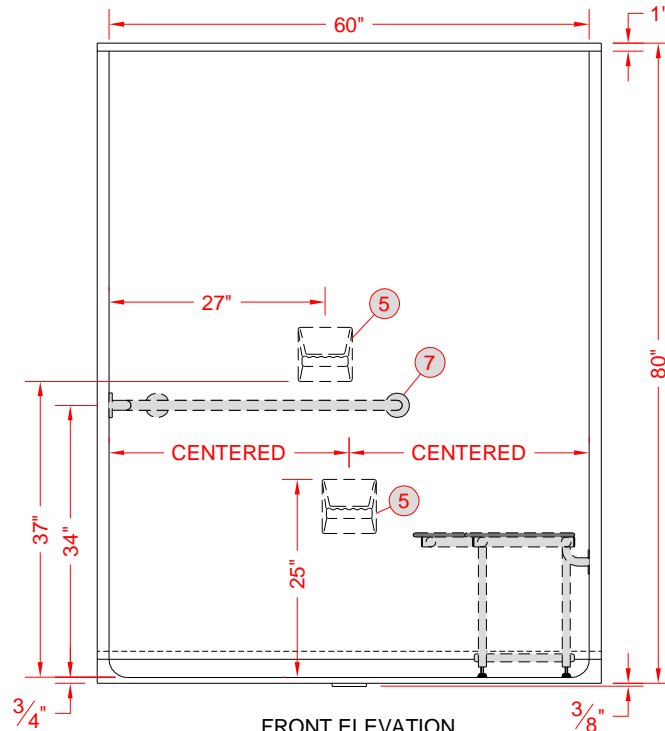
TOP VIEW



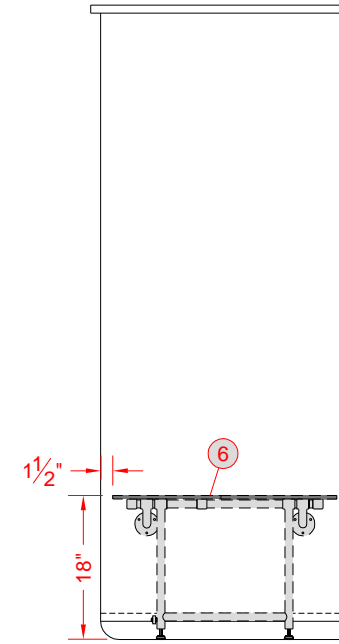
PERSPECTIVE - N.T.S.



INT. LEFT ELEVATION



FRONT ELEVATION



INT. RIGHT ELEVATION

E	---	---
D	---	---
C	---	---
B	---	---
A	---	---
REV	CHANGE	DATE

PROJECT: -
COMPANY: -

DB: MA SCALE: 1/2" = 1'-0"
CB: PVR SHEET 1 OF 2

DATE: 02/07/11
DRAWING NUMBER: 4533

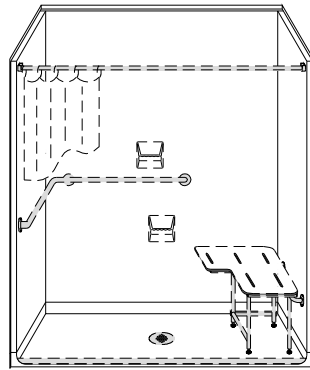


NOTES:
 • Rough-in stud opening +1/4" -0" nominal dimensions
 • All vertical accessory dimensions are measured from the floor of the shower.
 • Best Bath Systems, Inc. retains ownership of all product designs and any proprietary information may not be disclosed to its competitors, their agents or affiliates.

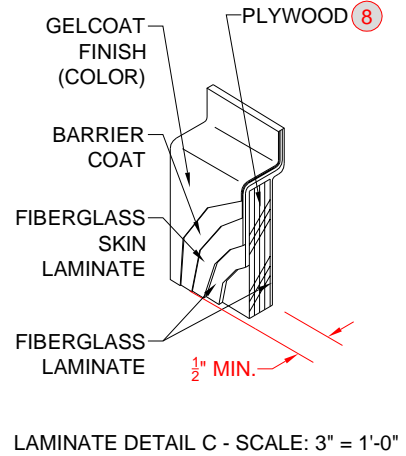
ACCEPTED AS CORRECT BY:
 X _____ / /

OPTION VERIFICATION

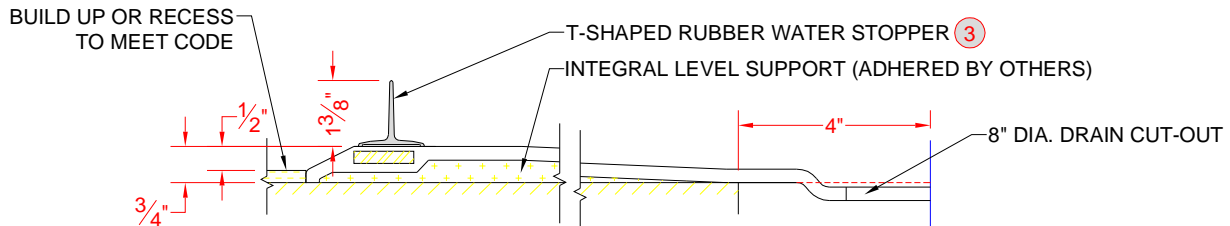
MODEL: 4LSS26331A75BCG - RIGHT PLUMBING/SEAT



PERSPECTIVE N.T.S.



LAMINATE DETAIL C - SCALE: 3" = 1'-0"



SECTION A-A - SCALE: 3" = 1'-0"

UNIT WEIGHT:

NOTES:

VALVE PACKAGE DETAILS:

A	N/A							
PLUMBING TREE:	N/A							
PT NIPPLE SIZE:	N/A	SUPPLY TEST:	N/A					
PLUMBING TREE CUSTOM PARTS:	N/A							

16									
15									
14									
13									
12									
11									
10									
9									
8	-	FULL PLYWOOD BACKING				✓			
7	1	27" x 36" x 1-1/4" L GRAB BAR		GB2736QSS			✓		
6	1	28" x 21" FOLD DOWN SEAT WITH SWING DOWN LEGS, PHENOLIC		SE2821PHS			✓		
5	2	SURFACE MOUNT SOAP DISH	WHITE	KSOAPDISHSMAA			✓		
4	1	NO CAULK BRASS DRAIN WITH STAINLESS STEEL SCREEN		ACXDRAIN1000			✓	✓	
3	1	T-SHAPED RUBBER WATER STOPPER KIT, 5 FT, LARGE END CAPS	GREY	KTWSG5L			✓		
2	1	CURTAIN ROD AND MOUNTING BRACKETS KIT		KACX ROD 59.5			✓		
1	1	66" x 74" CURTAIN		KACXCURT0005			✓		
KEY QTY.		DESCRIPTION	COLOR	PART NUMBER		FACTORY INSTALLED	INSTALLED BY OTHERS	MARK LOCATION ONLY	PRE-DRILL HOLES

PARTS LIST



PROJECT: -
COMPANY: -

REFER TO SHEET 1 OF 2 FOR ACCESSORY LOCATIONS

DATE: 02/07/11

DRAWING NUMBER: 4533

SHEET 2 OF 2



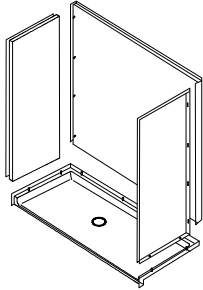
CA TITLE 24
COMPLIANT



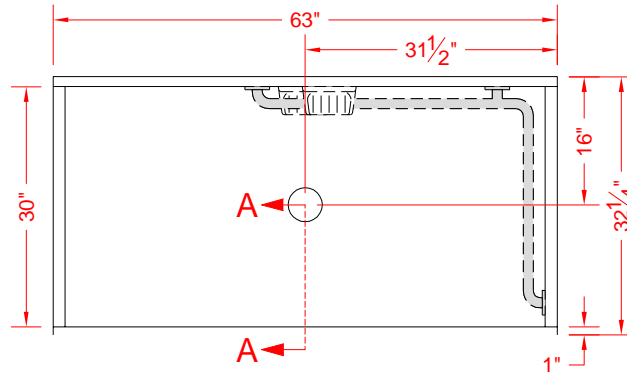
COMMERCIAL GRADE

ADAPTABLE

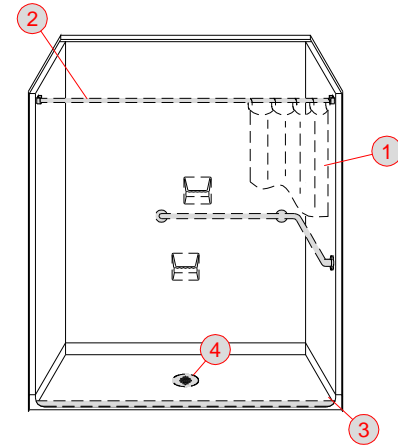
MASTER



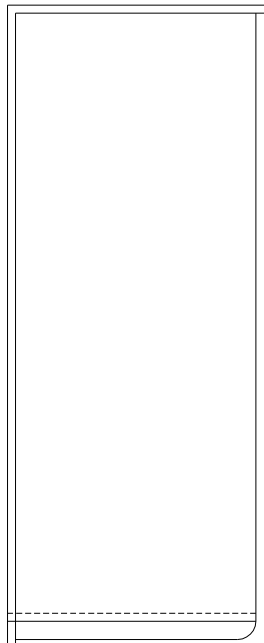
ASSEMBLY VIEW - N.T.S.



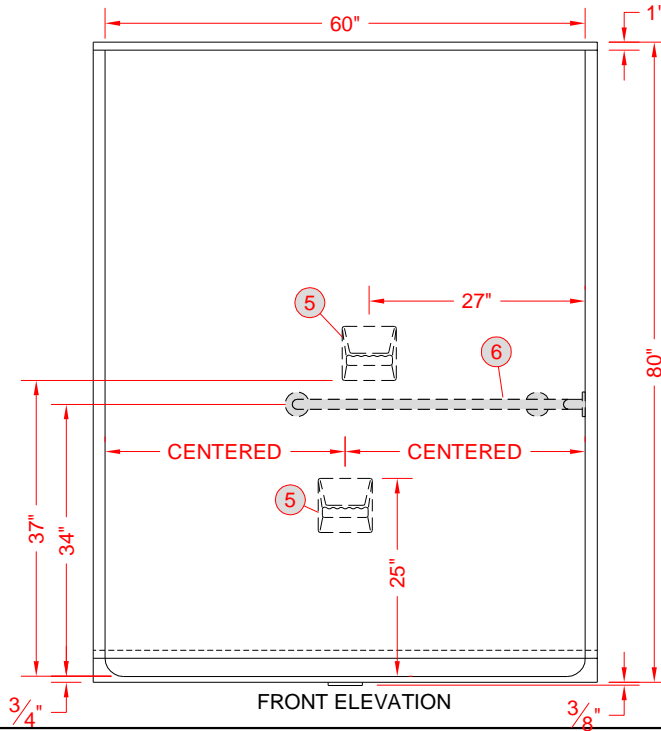
TOP VIEW



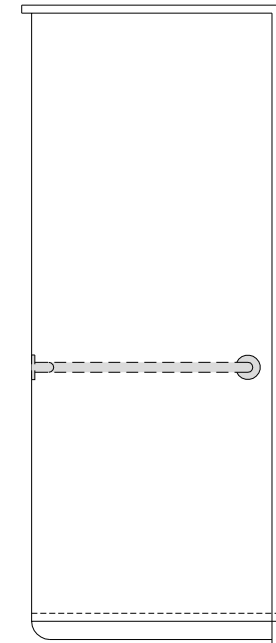
PERSPECTIVE - N.T.S.



INT. LEFT ELEVATION



FRONT ELEVATION



INT. RIGHT ELEVATION

E	---	---
D	---	---
C	---	---
B	---	---
A	---	---
REV	CHANGE	DATE

PROJECT: -
COMPANY: -

DB: MA SCALE: 1/2" = 1'-0"
CB: PVR SHEET 1 OF 2

DATE: 02/07/11
DRAWING NUMBER: 4536

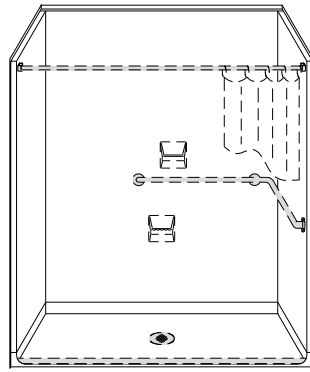


NOTES:
 • Rough-in stud opening +1/4" -0" nominal dimensions
 • All vertical accessory dimensions are measured from the floor of the shower.
 • Best Bath Systems, Inc. retains ownership of all product designs and any proprietary information may not be disclosed to its competitors, their agents or affiliates.

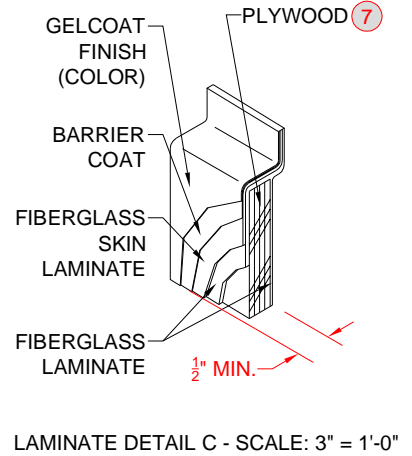
ACCEPTED AS CORRECT BY:
 X _____ / /

OPTION VERIFICATION

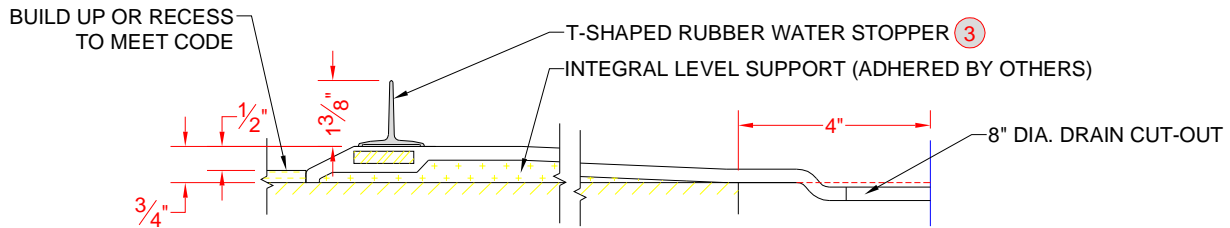
MODEL: 4LSS26331A75BCG - LEFT PLUMBING



PERSPECTIVE N.T.S.



LAMINATE DETAIL C - SCALE: 3" = 1'-0"



SECTION A-A - SCALE: 3" = 1'-0"

UNIT WEIGHT:

NOTES:

VALVE PACKAGE DETAILS:

A	N/A							
PLUMBING TREE:	N/A							
PT NIPPLE SIZE:	N/A	SUPPLY TEST:	N/A					
PLUMBING TREE CUSTOM PARTS:	N/A							

16								
15								
14								
13								
12								
11								
10								
9								
8								
7	-	FULL PLYWOOD BACKING				✓		
6	1	27" x 36" x 1-1/4" L GRAB BAR		GB2736QSS		✓		
5	2	SURFACE MOUNT SOAP DISH	WHITE	KSOAPDISHSMAA		✓		
4	1	NO CAULK BRASS DRAIN WITH STAINLESS STEEL SCREEN		ACXDRAIN1000		✓		✓
3	1	T-SHAPED RUBBER WATER STOPPER KIT, 5 FT, LARGE END CAPS	GREY	KTWSG5L		✓		
2	1	CURTAIN ROD AND MOUNTING BRACKETS KIT		KACX ROD 59.5		✓		
1	1	66" x 74" CURTAIN		KACXCURT0005		✓		
KEY	QTY.	DESCRIPTION	COLOR	PART NUMBER	FACTORY INSTALLED	INSTALLED BY OTHERS	MARK LOCATION ONLY	PRE-DRILL HOLES

PARTS LIST



PROJECT: -
COMPANY: -

REFER TO SHEET 1 OF 2 FOR ACCESSORY LOCATIONS

DATE: 02/07/11

DRAWING NUMBER: 4536

SHEET 2 OF 2