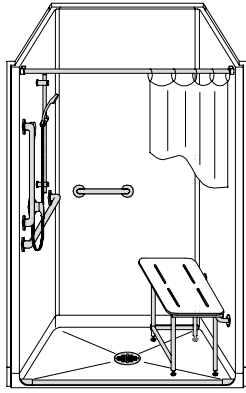


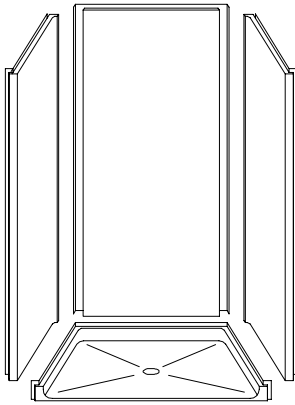
# MODEL: 4LSS4238A5T\*



SEE OVER

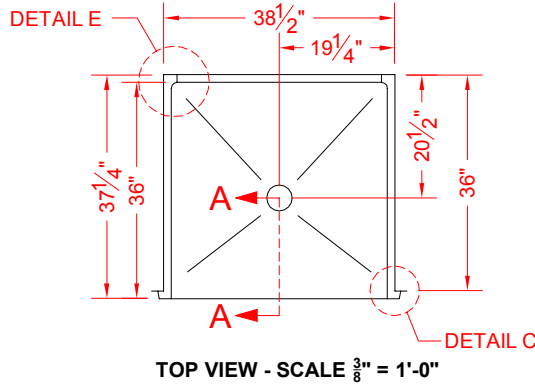


**PERSPECTIVE VIEW - N.T.S.**  
**MODEL SHOWN HERE AS:**  
 LEFT PLUMBING  
 RIGHT SEAT  
 RIGHT REVEAL

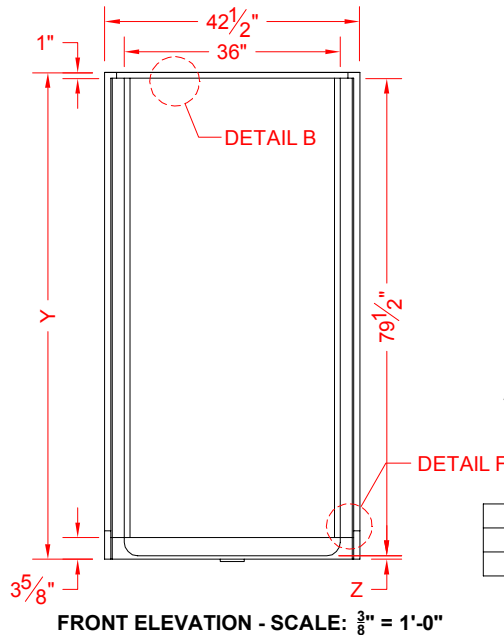


**ASSEMBLY VIEW - N.T.S.**

**ALL ACCESSORIES OPTIONAL**



**TOP VIEW - SCALE  $\frac{3}{8}$ " = 1'-0"**



**FRONT ELEVATION - SCALE:  $\frac{3}{8}$ " = 1'-0"**

**Features:**

- ADA compliant multi-piece transfer shower
- Available in various threshold heights
- Molded, four-piece gelcoat/fiberglass shower module
- Smooth wall finish, white (standard)
- Integral full wood backing for strength and unlimited accessory placement
- On all threshold heights 1-1/2" or taller, no mud set is required
- On all threshold heights 1-1/4" or shorter, no mud set is required and an anchoring adhesive kit is supplied

**\*OTHER THRESHOLD HEIGHTS AVAILABLE UPON REQUEST**

MODEL #	UNIT HEIGHT	THRESHOLD HEIGHT
	Y	Z*
4LSS4238A5T	81-1/8"	5/8" MIN.
4LSS4238A2T	82-1/2"	2" MAX.

\* - SEE BACK FOR DETAIL SECTIONS

**PRODUCT SPECIFICATIONS:**

- Multi-piece shower module shall be constructed of gelcoat/fiberglass with full integral plywood backing
- Rough-In: Stud opening +1/4" -0" Nominal Dimensions.

C.S.I. FORMAT SPECIFICATION TEXT AVAILABLE

**PRODUCT INFORMATION:**

- Accessories: Factory installed, unless prone to damage during installation/shipping. Polished chrome/satin stainless standard, others available.
- Colors: White as standard, others to match any major fixture manufacturer, also available with sprayable solid surface in many colors
- Custom curb heights, other than shown, are available (between min. and max.)

**ACCESSORIES:**

INSTALLED BY OTHERS:

- Grab bar
- Seat, folding
- Mixing valve, pressure-balancing, lever handle, pre-plumbed tree to supply elbow
- Curtain and rod
- T-shaped rubber WaterStopper kit
- Semi-permanent threshold adaptor
- No-caulk brass drain

**CODES:**

Designed and manufactured in compliance with the following standards and codes:

- A.N.S.I. Z124.2 Standards for Plastic Showers
- I.P.C. International Plumbing Code
- U.P.C. Uniform Plumbing Code
- A.D.A. Accessibility Guidelines for Buildings and Facilities
- A.N.S.I. A117.1 Accessible and Usable Buildings and Facilities

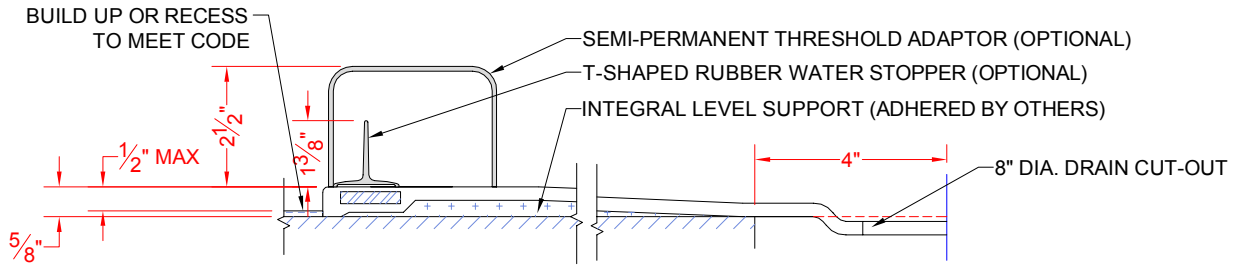
**NOTICE OF LIMITATION:**

- Adhere to floor as required



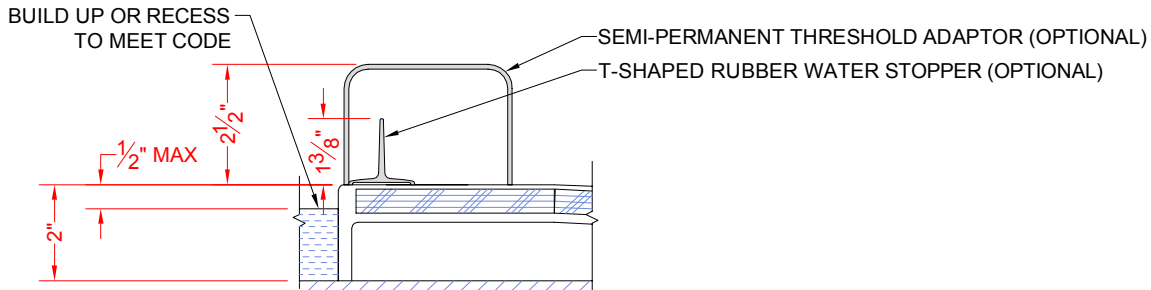
*We reserve the right to make revisions without notice in the design of fixtures or in packaging unless this right has specifically been waived at the time the order is accepted.*

**4LSS4238A5T**



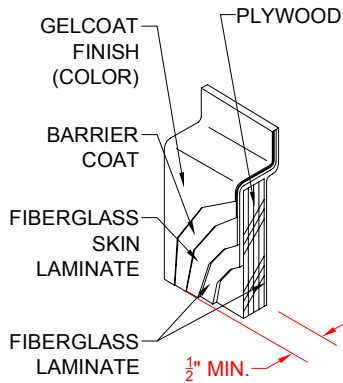
**SECTION A-A - SCALE: 3" = 1'-0"**

**4LSS4238A2T**

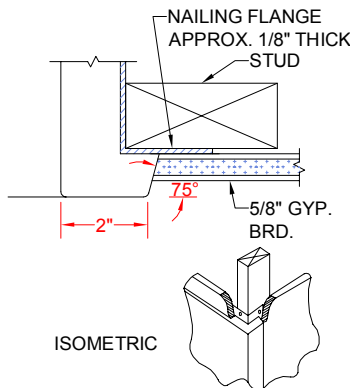


**SECTION A-A - SCALE: 3" = 1'-0"**

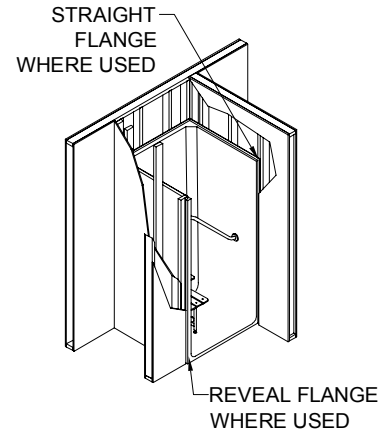
**\*\*OTHER THRESHOLD HEIGHTS AVAILABLE UPON REQUEST\*\***



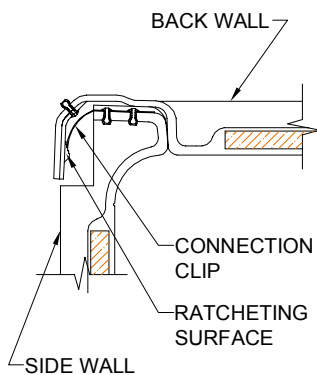
**DETAIL B - SCALE: N.T.S.  
WALL SECTION DETAIL**



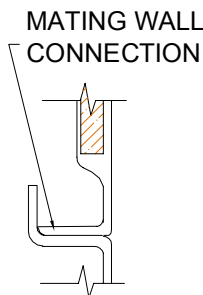
**DETAIL C - SCALE: NTS  
REVEAL DETAIL**



**TYPICAL FRAMING**



**DETAIL E - SCALE: NTS  
WALL JOINT DETAIL**



**DETAIL F - SCALE: NTS  
PAN JOINT DETAIL**