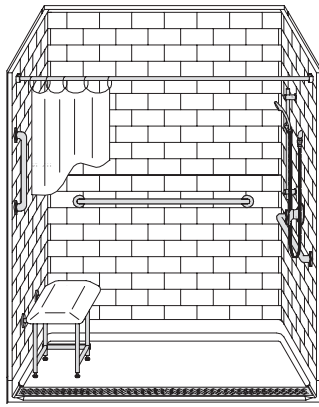


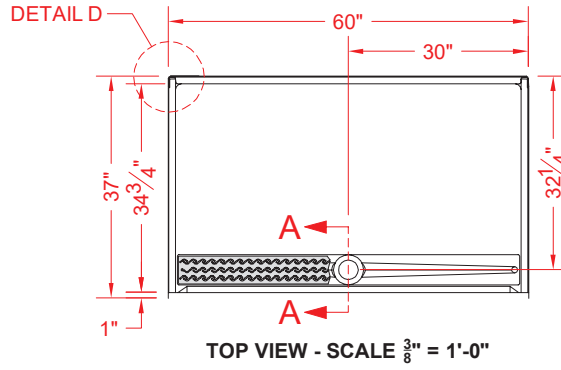
# MODEL: 5LBS26036FB75FTB\*

# BARRIER FREE

ALL ACCESSORIES OPTIONAL



PERSPECTIVE VIEW - N.T.S.

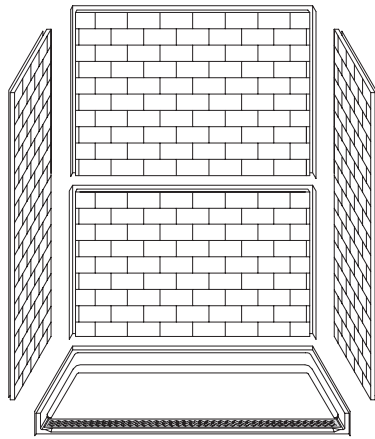


TOP VIEW - SCALE  $\frac{3}{8}'' = 1'-0''$

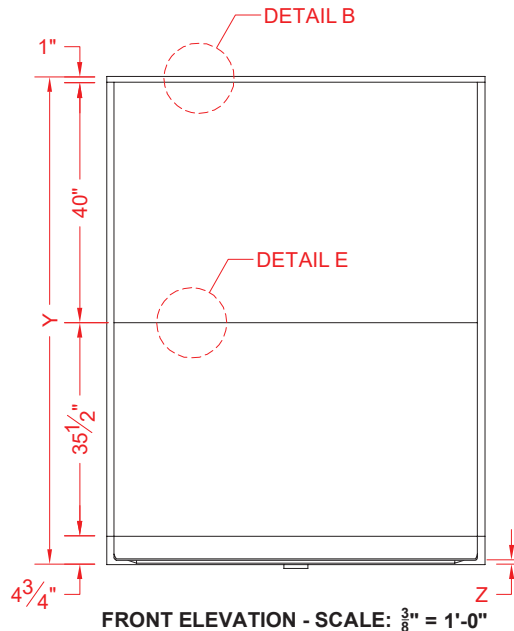


## Features:

- Molded, five-piece gelcoat/fiberglass barrier free shower module
- Available in various threshold heights
- "Subway Tile" wall finish, white (standard)
- Integral full wood backing for strength and unlimited accessory placement
- On all threshold heights 1-1/2" or taller, no mud set is required
- On all threshold heights 1-1/4" or shorter, no mud set is required and an anchoring adhesive kit is supplied
- Flat upper back wall to avoid interference for window trim kits, grab bars, etc.



ASSEMBLY VIEW - N.T.S.



FRONT ELEVATION - SCALE:  $\frac{3}{8}'' = 1'-0''$

## \*OTHER THRESHOLD HEIGHTS AVAILABLE UPON REQUEST

MODEL #	UNIT THRESHOLD HEIGHT	
	Y	Z*
5LBS26036FB75FTB	81-1/4"	3/4" MIN
5LBS26036FB1FTB	81-1/2"	1" TYP
5LBS26036FB2FTB	82-1/2"	2" MAX

\* - SEE BACK FOR DETAIL SECTIONS

## PRODUCT SPECIFICATIONS:

- Multi-piece shower module shall be constructed of gelcoat/fiberglass with full integral plywood backing and have a stainless steel trench drain grate.
- Rough-In: Stud opening +1/4" / -0" nominal dimensions.

C.S.I. FORMAT SPECIFICATION TEXT AVAILABLE

## PRODUCT INFORMATION:

- Accessories: Polished chrome/satin stainless standard, others available.
- Colors: White as standard, others to match any major fixture manufacturer, also available with sprayable solid surface in many colors
- Custom curb heights, other than shown, are available (between min. and max.)

## ACCESSORIES:

### INSTALLED BY OTHERS:

- Grab bar
- Seat, folding
- Mixing valve, pressure-balancing, lever handle, pre-plumbed tee to supply elbow
- Curtain and rod
- No-caulk brass drain (included with grate)

## CODES:

- Designed and manufactured in compliance with the following standards and codes:
- A.N.S.I. Z124.2 Standards for Plastic Showers

## NOTICE OF LIMITATION:

- Does not meet Uniform Plumbing Code
- Adhere to floor as required



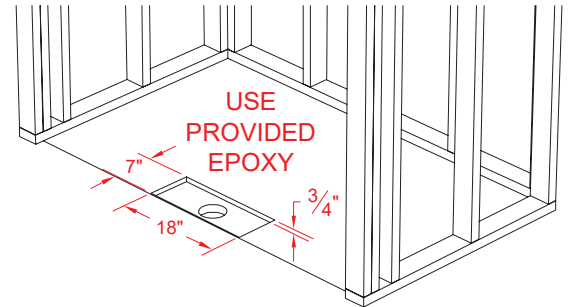
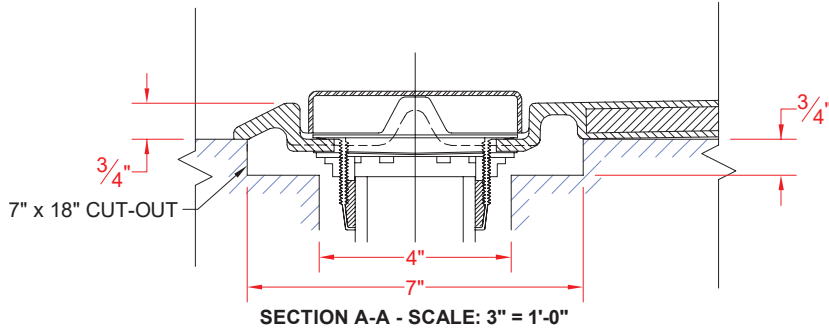
Architectural Products for Barrier Free Living

www.barrierfree.org

(877) 717-7027

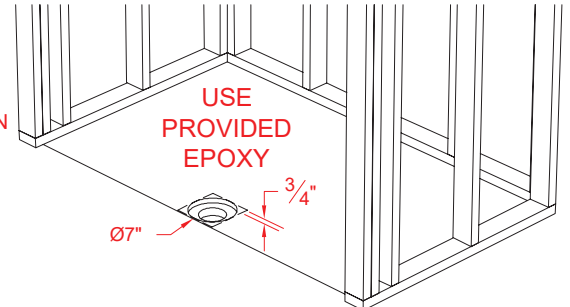
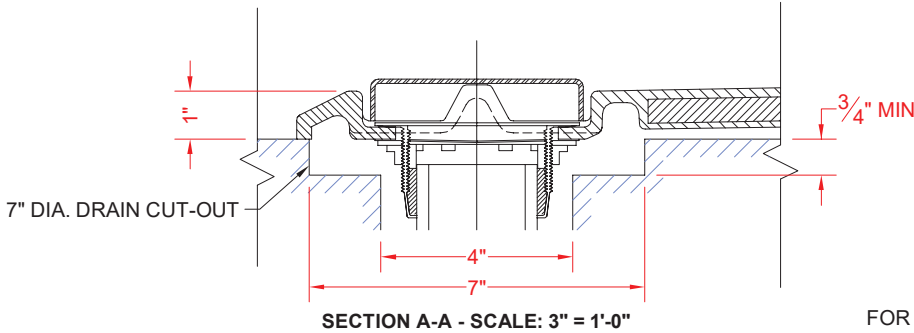
We reserve the right to make revisions without notice in the design of fixtures or in packaging unless this right has specifically been waived at the time the order is accepted.

5LBS26036FB75FTB



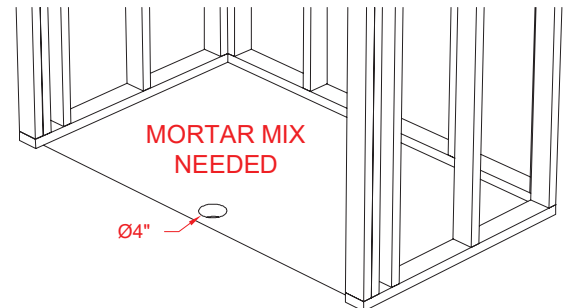
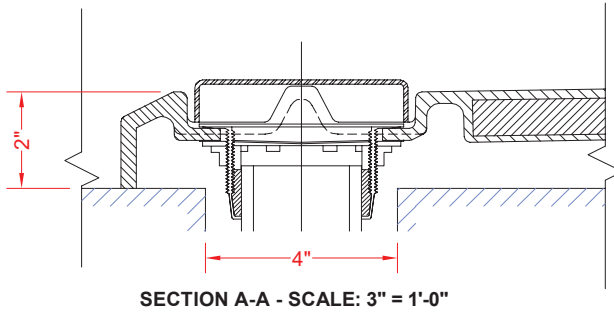
FOR MODELS ENDING IN 75FTB, INSTALLATION REQUIRES A 7" x 18" x 3/4" CUT-OUT.

5LBS26036FB1FTB



FOR MODELS ENDING IN 1FTB OR 12FTB, INSTALLATION REQUIRES A 7" DIAMETER (OR 7" x 7" SQ) x 3/4" CUT-OUT.

5LBS26036FB2FTB



FOR MODELS ENDING IN 15FTB, 17FTB, OR 2FTB, INSTALLATION REQUIRES A 4" DRAIN HOLE.

ALL SHOWN AS INSTALLED WITH SOLID BRASS, NO-CAULK DRAIN FITTING (INCLUDED, INSTALLED BY OTHERS)

