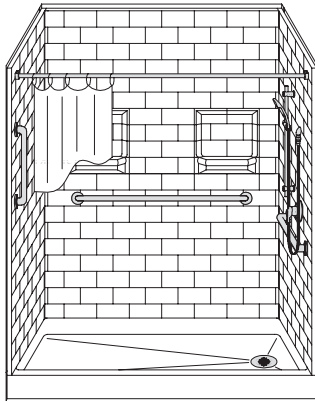


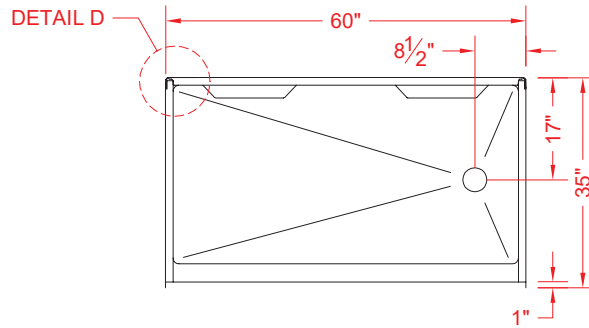
MODEL: 5LBS6034L/R

REMODELER

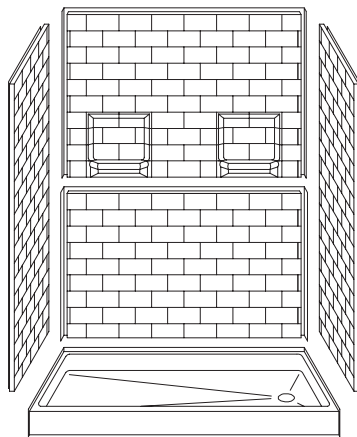
ALL ACCESSORIES OPTIONAL



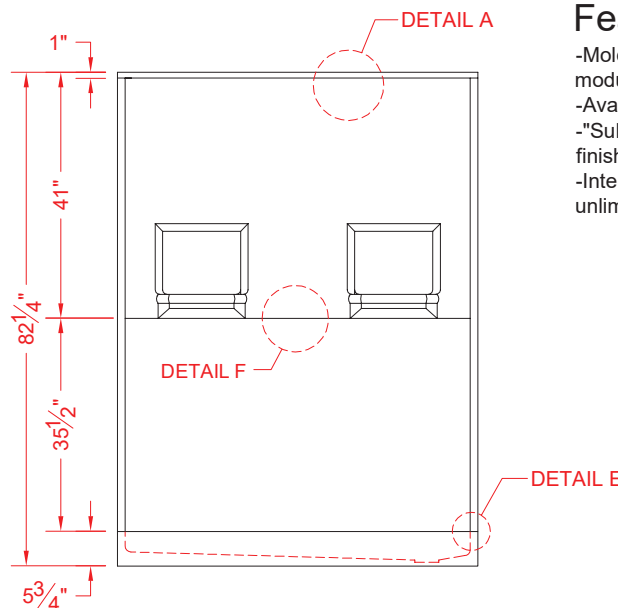
PERSPECTIVE VIEW - N.T.S.
MODEL SHOWN HERE AS:
 RIGHT DRAIN



TOP VIEW - SCALE $\frac{3}{8}'' = 1'-0''$



ASSEMBLY VIEW - N.T.S.



FRONT ELEVATION - SCALE: $\frac{3}{8}'' = 1'-0''$

Features:

- Molded, 5 piece gelcoat/fiberglass shower module
- Available in right or left drain
- "Subway Tile", 4" x 8" simulated tile wall finish, white (standard)
- Integral full wood backing for strength and unlimited accessory placement

PRODUCT SPECIFICATIONS:

- Multi piece shower module shall be constructed of gelcoat/fiberglass with full integral plywood backing
- Rough-In: Stud opening +1/4" -0" Nominal Dimensions.

C.S.I. FORMAT SPECIFICATION TEXT AVAILABLE

PRODUCT INFORMATION:

- Accessories: Factory installed, unless prone to damage during installation/shipping. Polished chrome/satin stainless standard, others available.
- Colors: White as standard, others to match any major fixture manufacturer, also available with sprayable solid surface in many colors
- Custom curb heights, other than shown, are available (between min. and max.)

ACCESSORIES:

INSTALLED BY OTHERS:

- Grab bar
- Seat, folding
- Mixing valve, pressure balanced, lever handle, preplumbed tree to supply elbow
- Curtain and rod
- Caulkless drain

CODES:

- Designed and manufactured in compliance with the following standards and codes:
- A.N.S.I. Z124.2 Standards for Plastic Showers
 - I.P.C. International Plumbing Code
 - U.P.C. Uniform Plumbing Code

NOTICE OF LIMITATION:

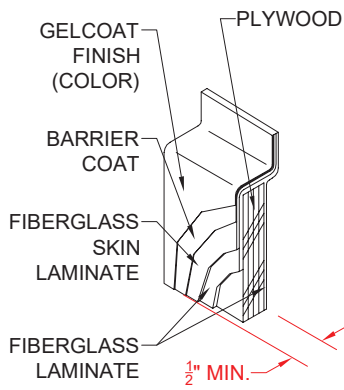


Architectural Products for Barrier Free Living

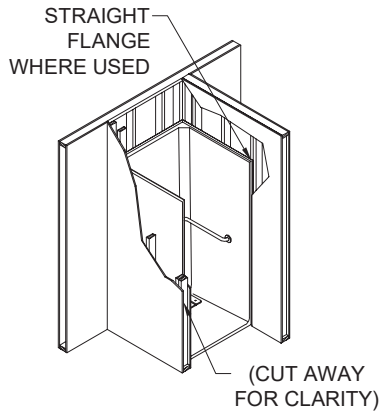
www.barrierfree.org

(877) 717-7027

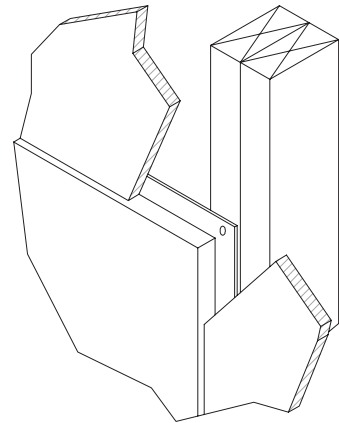
We reserve the right to make revisions without notice in the design of fixtures or in packaging unless this right has specifically been waived at the time the order is accepted.



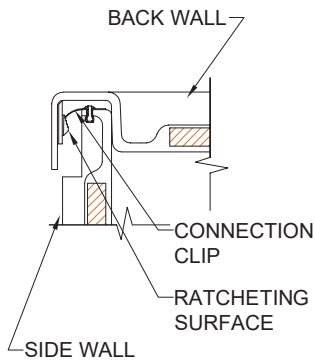
DETAIL A - SCALE: 3" = 1'-0"
WALL SECTION DETAIL



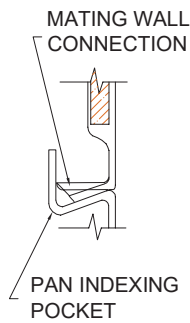
DETAIL B - SCALE: NTS
TYPICAL FRAMING



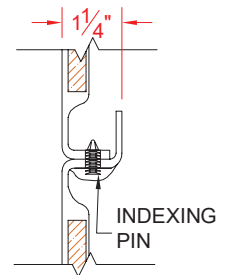
DETAIL C - SCALE: NTS
FLANGE ISOMETRIC



DETAIL D - SCALE: 3" = 1'-0"
WALL JOINT DETAIL



DETAIL E - SCALE: 3" = 1'-0"
PAN JOINT DETAIL



DETAIL F - SCALE: 3" = 1'-0"
BACKWALL JOINT DETAIL