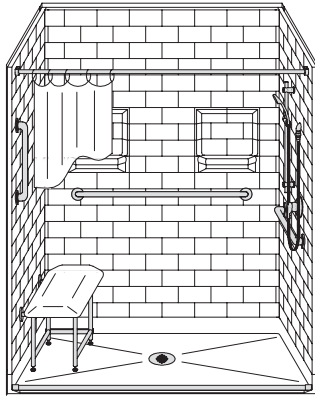


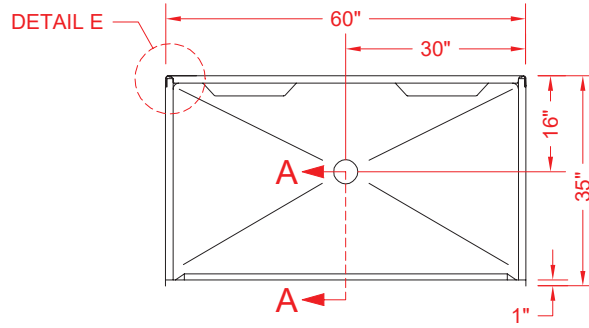
# MODEL: 5LBS6034B75B\*

# BARRIER FREE

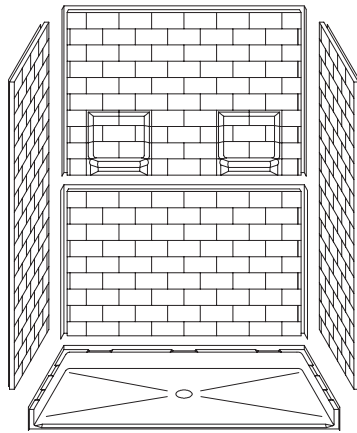
ALL ACCESSORIES OPTIONAL



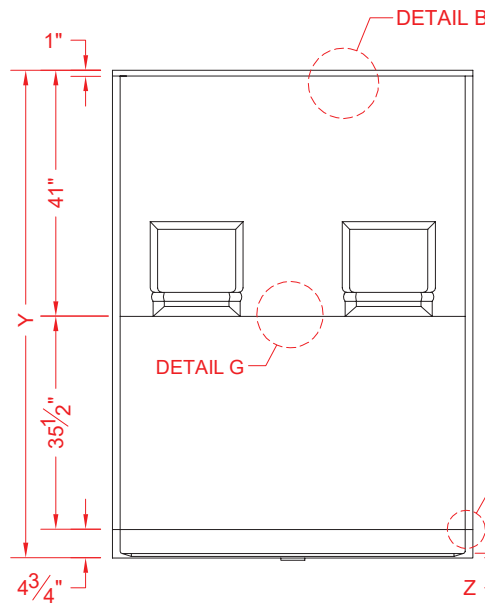
PERSPECTIVE VIEW - N.T.S.



TOP VIEW - SCALE  $\frac{3}{8}'' = 1'-0''$



ASSEMBLY VIEW - N.T.S.



FRONT ELEVATION - SCALE:  $\frac{3}{8}'' = 1'-0''$

## Features:

- Molded, 5 piece gelcoat/fiberglass shower module
- Available in various threshold heights
- "Subway Tile", 4" x 8" simulated tile wall finish, white (standard)
- Integral full wood backing for strength and unlimited accessory placement
- On all threshold heights 1-1/2" or taller, no mud set is required
- On all threshold heights 1-1/4" or shorter, no mud set is required and an anchoring adhesive kit is supplied

## \*OTHER THRESHOLD HEIGHTS AVAILABLE UPON REQUEST

	UNIT HEIGHT	THRESHOLD HEIGHT
MODEL #	Y	Z*
5LBS6034B75B	81-1/4"	3/4" MIN.
5LBS6034B2B	82-1/2"	2" MAX.

\* - SEE BACK FOR DETAIL SECTIONS

## PRODUCT SPECIFICATIONS:

- Multi piece shower module shall be constructed of gelcoat/fiberglass with full integral plywood backing
- Rough-In: Stud opening +1/4" -0" Nominal Dimensions.

C.S.I. FORMAT SPECIFICATION TEXT AVAILABLE

## PRODUCT INFORMATION:

- Accessories: Factory installed, unless prone to damage during installation/shipping. Polished chrome/satin stainless standard, others available.
- Colors: White as standard, others to match any major fixture manufacturer, also available with sprayable solid surface in many colors
- Custom curb heights, other than shown, are available (between min. and max.)

## ACCESSORIES:

### INSTALLED BY OTHERS:

- Grab bar
- Seat, folding
- Mixing valve, pressure balanced, lever handle, preplumbed tree to supply elbow
- Curtain and rod
- T-Shaped Rubber WaterStopper Kit
- Semi-permanent Threshold Adaptor
- Caulkless drain

## CODES:

- Designed and manufactured in compliance with the following standards and codes:
- A.N.S.I. Z124.2 Standards for Plastic Showers
  - I.P.C. International Plumbing Code
  - U.P.C. Uniform Plumbing Code

## NOTICE OF LIMITATION:

- Adhere to floor as required



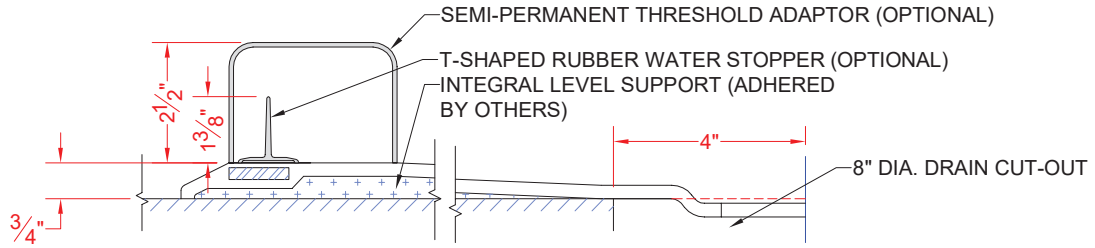
Architectural Products for Barrier Free Living

www.barrierfree.org

(877) 717-7027

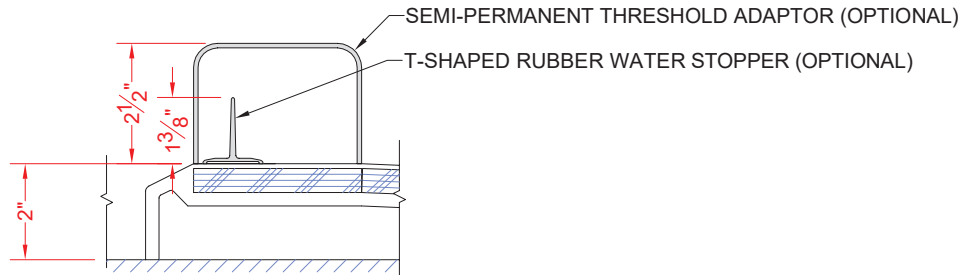
We reserve the right to make revisions without notice in the design of fixtures or in packaging unless this right has specifically been waived at the time the order is accepted.

5LBS6034B75B



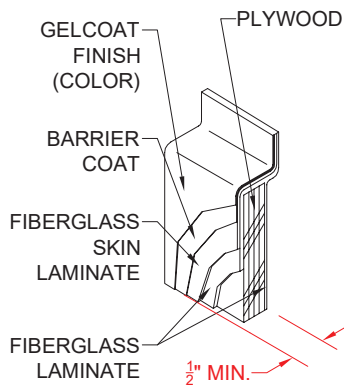
SECTION A-A - SCALE: 3" = 1'-0"

5LBS6034B2B

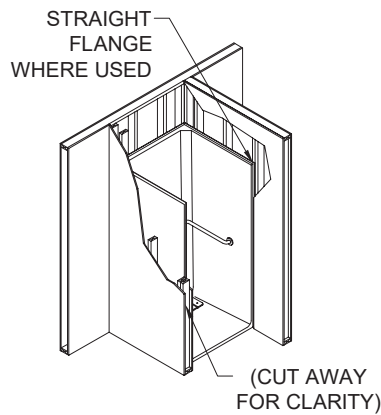


SECTION A-A - SCALE: 3" = 1'-0"

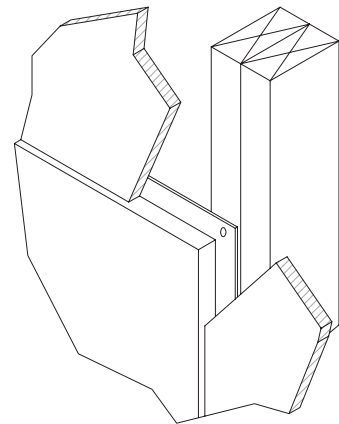
**\*\*OTHER THRESHOLD HEIGHTS AVAILABLE UPON REQUEST\*\***



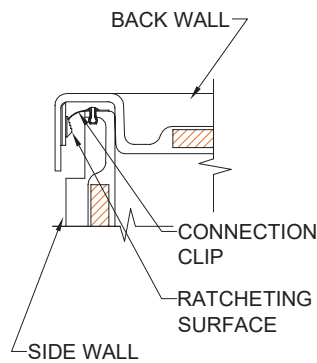
DETAIL B - SCALE: 3" = 1'-0"  
WALL SECTION DETAIL



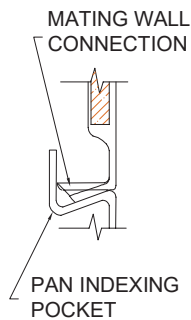
DETAIL C - SCALE: NTS  
TYPICAL FRAMING



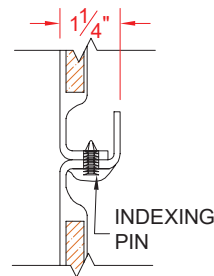
DETAIL D - SCALE: NTS  
TYPICAL DRYWALL



DETAIL E - SCALE: 3" = 1'-0"  
WALL JOINT DETAIL



DETAIL F - SCALE: 3" = 1'-0"  
PAN JOINT DETAIL



DETAIL G - SCALE: 3" = 1'-0"  
BACK