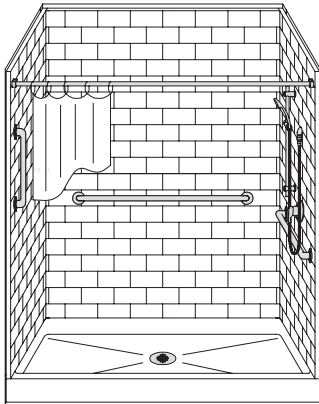


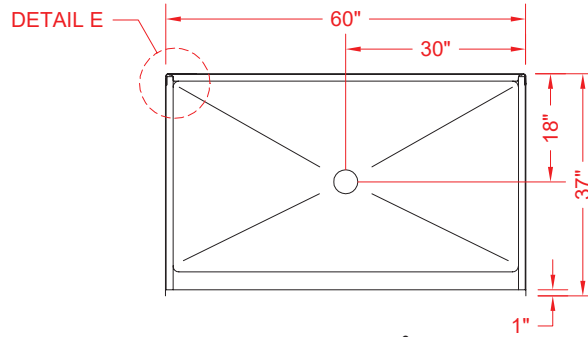
# MODEL: 5LBS6036FB

# REMODELER

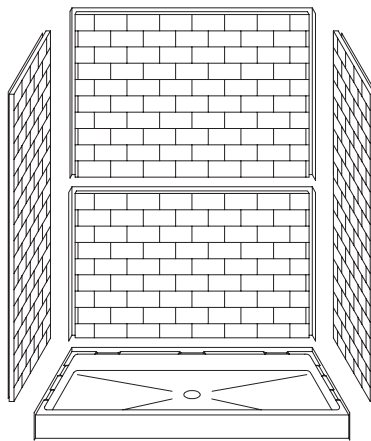
ALL ACCESSORIES OPTIONAL



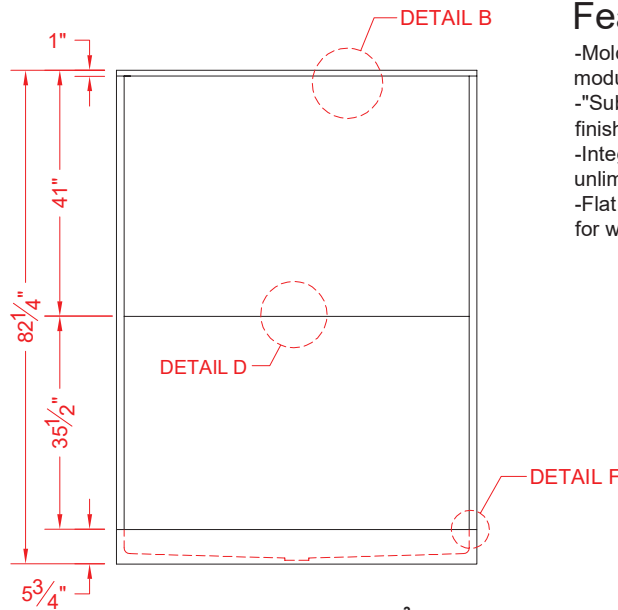
PERSPECTIVE VIEW - N.T.S.



TOP VIEW - SCALE  $\frac{3}{8}'' = 1'-0''$



ASSEMBLY VIEW - N.T.S.



FRONT ELEVATION - SCALE:  $\frac{3}{8}'' = 1'-0''$

## Features:

- Molded, 5 piece gelcoat/fiberglass shower module
- "Subway Tile", 4" x 8" simulated tile wall finish, white (standard)
- Integral full wood backing for strength and unlimited accessory placement
- Flat upper back wall to avoid interference for window trim kits, grab bars, etc.

## PRODUCT SPECIFICATIONS:

- Multi piece shower module shall be constructed of gelcoat/fiberglass with full integral plywood backing
- Rough-In: Stud opening +1/4" -0" Nominal Dimensions.

C.S.I. FORMAT SPECIFICATION TEXT AVAILABLE

## PRODUCT INFORMATION:

- Accessories: Factory installed, unless prone to damage during installation/shipping. Polished chrome/satin stainless standard, others available.
- Colors: White as standard, others to match any major fixture manufacturer, also available with sprayable solid surface in many colors
- Custom curb heights, other than shown, are available (between min. and max.)

## ACCESSORIES:

### INSTALLED BY OTHERS:

- Grab bar
- Seat, folding
- Mixing valve, pressure balanced, lever handle, preplumbed tree to supply elbow
- Curtain and rod
- Caulkless drain

## CODES:

- Designed and manufactured in compliance with the following standards and codes:
- A.N.S.I. Z124.2 Standards for Plastic Showers
  - I.P.C. International Plumbing Code
  - U.P.C. Uniform Plumbing Code

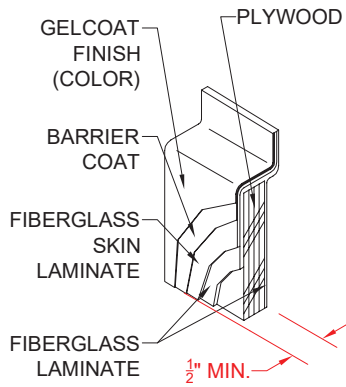
## NOTICE OF LIMITATION:



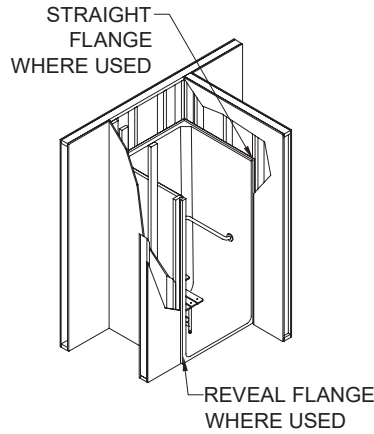
Architectural Products for Barrier Free Living

www.barrierfree.org (877) 717-7027

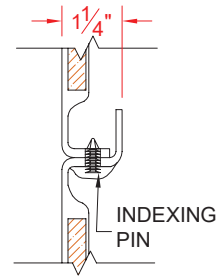
We reserve the right to make revisions without notice in the design of fixtures or in packaging unless this right has specifically been waived at the time the order is accepted.



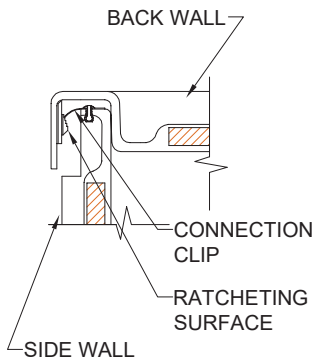
**DETAIL B - SCALE: N.T.S.**  
**WALL SECTION DETAIL**



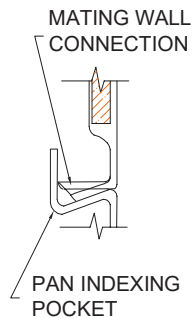
**DETAIL C - SCALE: NTS**  
**TYPICAL FRAMING**



**DETAIL D - SCALE: NTS**  
**BACKWALL JOINT DETAIL**



**DETAIL E - SCALE: NTS**  
**WALL JOINT DETAIL**



**DETAIL F - SCALE: NTS**  
**PAN JOINT DETAIL**