

# MODEL: 5LES26333A75FTB.V2\*

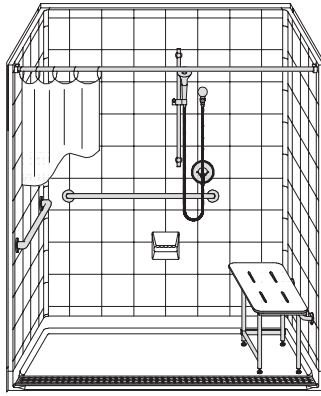
ALL ACCESSORIES OPTIONAL



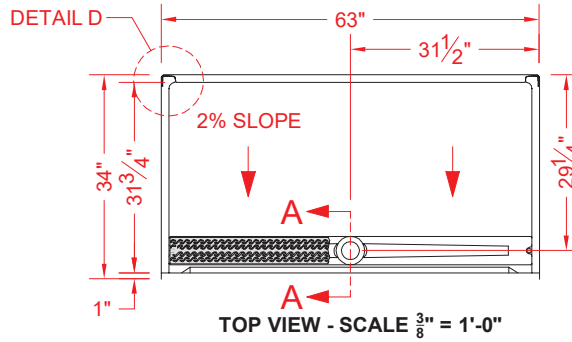
**ADA  
COMPLIANT**



CA TITLE 24  
COMPLIANT



PERSPECTIVE VIEW - N.T.S.



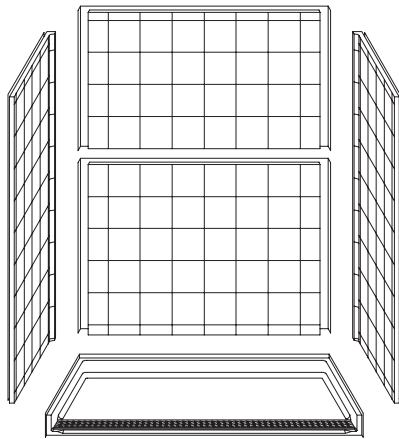
## Features:

- ADA compliant multi-piece roll-in shower with trench drain and stainless steel grate with magnetic attachment
- Available in various threshold heights
- Molded, five-piece gelcoat/fiberglass shower module
- "Eight Inch Tile" wall finish, white (standard)
- Integral full plywood backing for strength and unlimited accessory placement

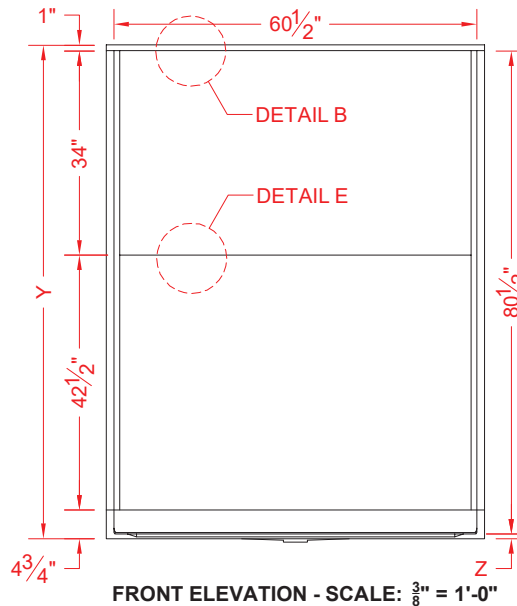
## \*OTHER THRESHOLD HEIGHTS AVAILABLE UPON REQUEST

MODEL #	UNIT HEIGHT	THRESHOLD HEIGHT
	Y	Z*
5LES26333A75FTB.V2	82-1/4"	3/4" MIN
5LES26333A1FTB.V2	82-1/2"	1" TYP
5LES26333A2FTB.V2	83-1/2"	2" MAX

\* - SEE BACK FOR DETAIL SECTIONS



ASSEMBLY VIEW - N.T.S.



## PRODUCT SPECIFICATIONS:

- Multi-piece shower module shall be constructed of gelcoat/fiberglass with full integral plywood backing and have a stainless steel trench drain grate with magnetic attachment.
- Rough-In: Stud opening +1/4" / -0" nominal dimensions.
- C.S.I. FORMAT SPECIFICATION TEXT AVAILABLE

## PRODUCT INFORMATION:

- Accessories: Polished chrome/satin stainless standard, others available.
- Colors: White as standard, others to match any major fixture manufacturer, also available with sprayable solid surface in many colors
- Custom curb heights, other than shown, are available (between min. and max.)

## ACCESSORIES:

- INSTALLED BY OTHERS:
- Grab bar
  - Seat, folding
  - Mixing valve, pressure-balancing, lever handle, pre-plumbed tee to supply elbow
  - Curtain and rod
  - No-caulk brass drain (included with grate)

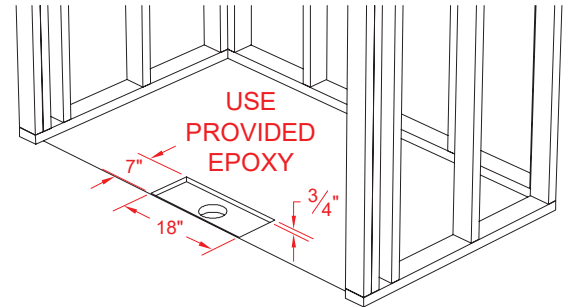
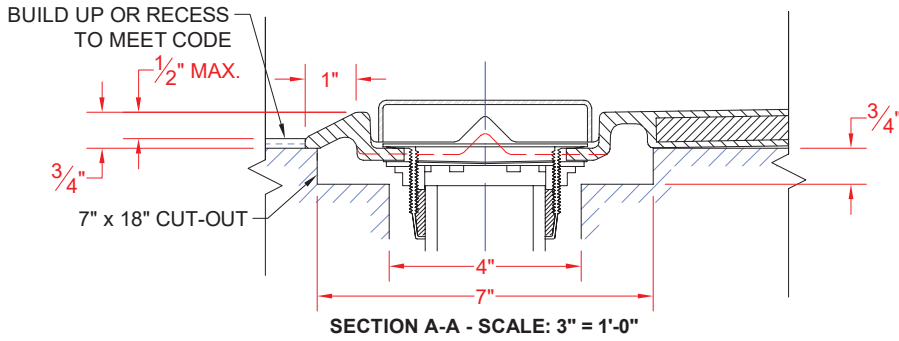
## CODES:

- Designed and manufactured in compliance with the following standards and codes:
- A.N.S.I. Z124.2 Standards for Plastic Showers
  - I.P.C. International Plumbing Code
  - U.P.C. Uniform Plumbing Code
  - A.D.A. Accessibility Guidelines for Buildings and Facilities
  - A.N.S.I. A117.1 Accessible and Usable Buildings and Facilities
  - U.P.C. Uniform Plumbing Code
  - California Building Code Title 24, section 11B

## NOTICE OF LIMITATION:

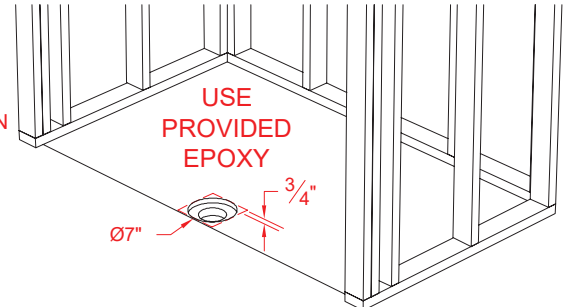
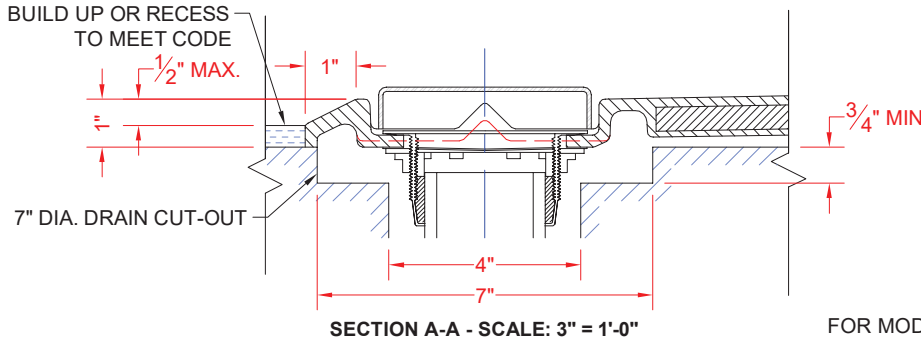
- Recess as needed for trench; see page 2
- Recess as needed to meet code
- Adhere to floor as required

# 5LES26333A75FTB.V2



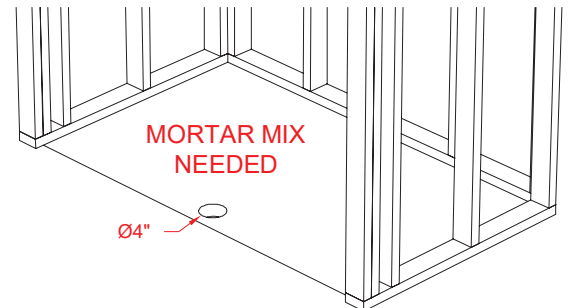
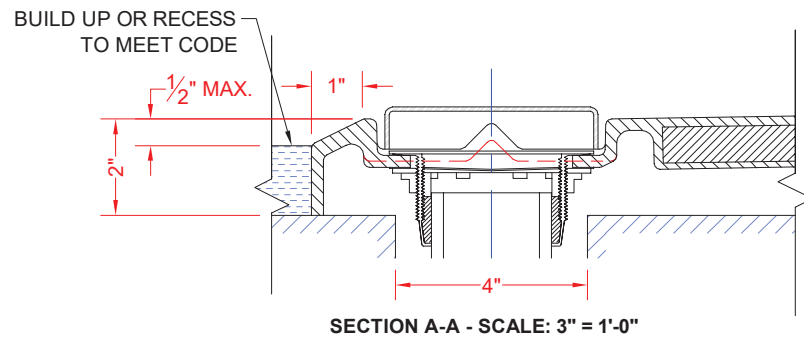
FOR MODELS ENDING IN A75FTB.V2, INSTALLATION REQUIRES A 7" x 18" x 3/4" CUT-OUT.

# 5LES26333A1FTB.V2



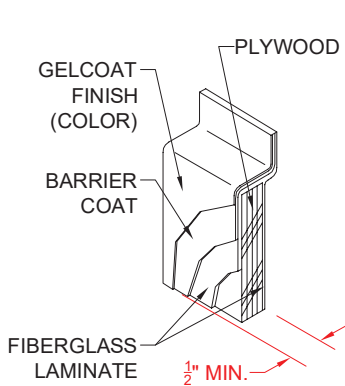
FOR MODELS ENDING IN A1FTB.V2 OR A12FTB.V2, INSTALLATION REQUIRES A 7" DIAMETER (OR 7" x 7" SQ) x 3/4" CUT-OUT.

# 5LES26333A2FTB.V2

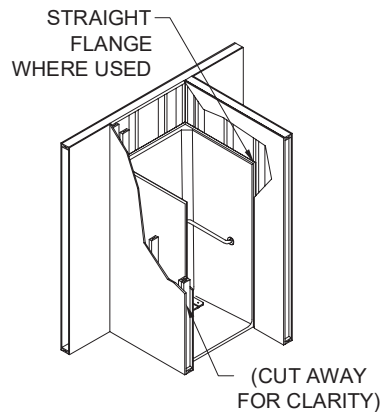


FOR MODELS ENDING IN A15FTB.V2, A17FTB.V2, OR A2FTB.V2, INSTALLATION REQUIRES A 4" DRAIN HOLE.

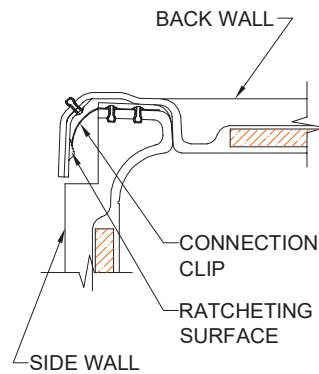
**ALL SHOWN AS INSTALLED WITH SOLID BRASS, NO-CAULK DRAIN FITTING (INCLUDED, INSTALLED BY OTHERS)**



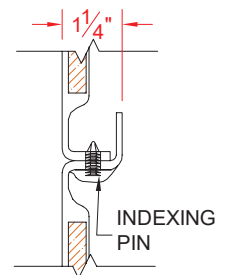
DETAIL B - SCALE: N.T.S.  
WALL SECTION DETAIL



DETAIL C - SCALE: N.T.S.  
TYPICAL FRAMING



DETAIL D - SCALE: N.T.S.  
BACK WALL JOINT DETAIL



DETAIL E - SCALE: N.T.S.  
WALL JOINT DETAIL



Architectural Products for Barrier Free Living

www.barrierfree.org

(877) 717-7027