

# MODEL: 5LES26333A75FTT.V2\*

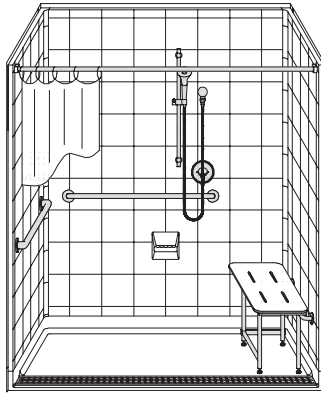
ALL ACCESSORIES OPTIONAL



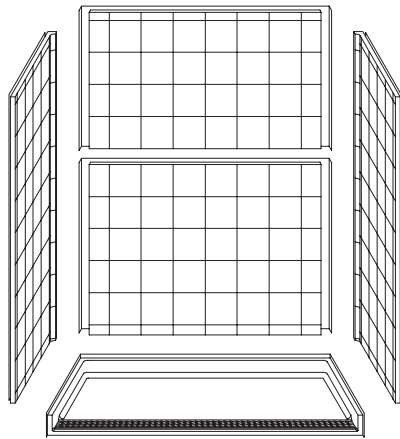
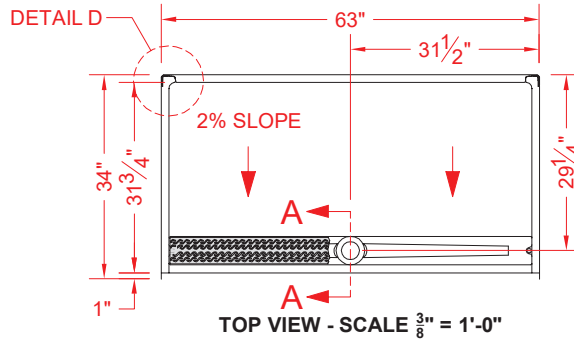
**ADA  
COMPLIANT**



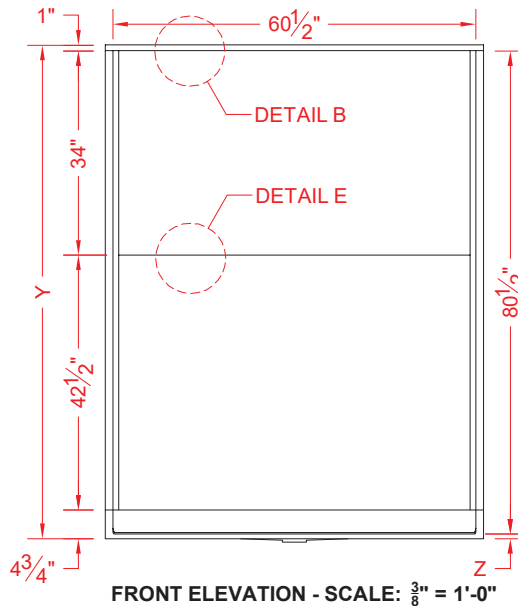
CA TITLE 24  
COMPLIANT



PERSPECTIVE VIEW - N.T.S.



ASSEMBLY VIEW - N.T.S.



## Features:

- ADA compliant multi-piece roll-in shower with trench drain and stainless steel grate with magnetic attachment
- Available in various threshold heights
- Molded, five-piece gelcoat/fiberglass shower module
- "Eight Inch Tile" wall finish, white (standard)
- Integral full plywood backing for strength and unlimited accessory placement

## \*OTHER THRESHOLD HEIGHTS AVAILABLE UPON REQUEST

MODEL #	UNIT HEIGHT	THRESHOLD HEIGHT
	Y	Z*
5LES26333A75FTT.V2	82-1/4"	3/4" MIN
5LES26333A1FTT.V2	82-1/2"	1" TYP
5LES26333A2FTT.V2	83-1/2"	2" MAX

\* - SEE BACK FOR DETAIL SECTIONS

## PRODUCT SPECIFICATIONS:

- Multi-piece shower module shall be constructed of gelcoat/fiberglass with full integral plywood backing and have a stainless steel trench drain grate with magnetic attachment.
- Rough-In: Stud opening +1/4" / -0" nominal dimensions.
- C.S.I. FORMAT SPECIFICATION TEXT AVAILABLE

## PRODUCT INFORMATION:

- Accessories: Polished chrome/satin stainless standard, others available.
- Colors: White as standard, others to match any major fixture manufacturer, also available with sprayable solid surface in many colors
- Custom curb heights, other than shown, are available (between min. and max.)

## ACCESSORIES:

### INSTALLED BY OTHERS:

- Grab bar
- Seat, folding
- Mixing valve, pressure-balancing, lever handle, pre-plumbed tee to supply elbow
- Curtain and rod
- No-caulk brass drain (included with grate)

## CODES:

- Designed and manufactured in compliance with the following standards and codes:
- A.N.S.I. Z124.2 Standards for Plastic Showers
  - I.P.C. International Plumbing Code
  - U.P.C. Uniform Plumbing Code
  - A.D.A. Accessibility Guidelines for Buildings and Facilities
  - A.N.S.I. A117.1 Accessible and Usable Buildings and Facilities
  - U.P.C. Uniform Plumbing Code
  - California Building Code Title 24, section 11B

## NOTICE OF LIMITATION:

- Recess as needed for trench; see page 2
- Recess as needed to meet code
- Adhere to floor as required



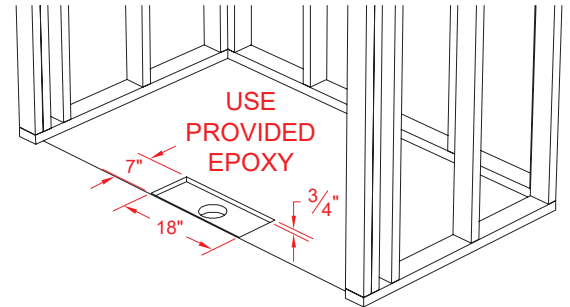
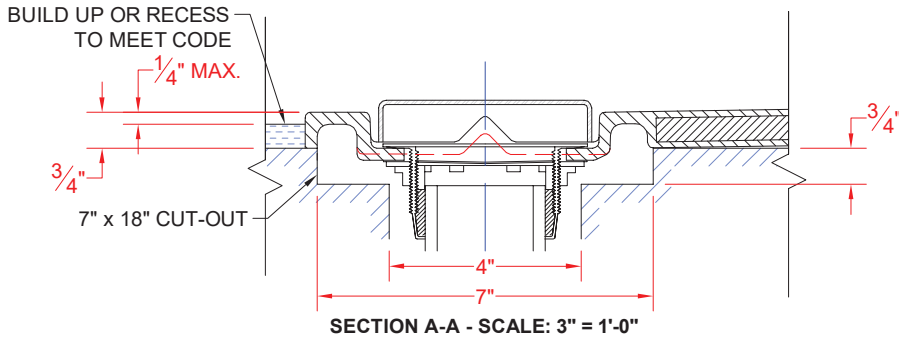
Architectural Products for Barrier Free Living

www.barrierfree.org

(877) 717-7027

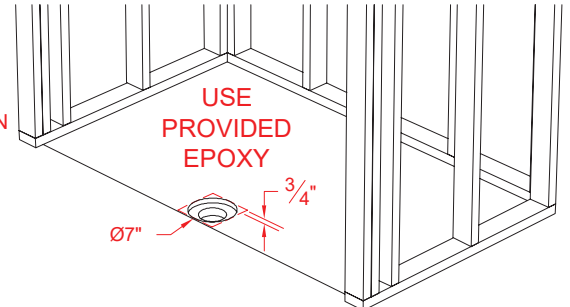
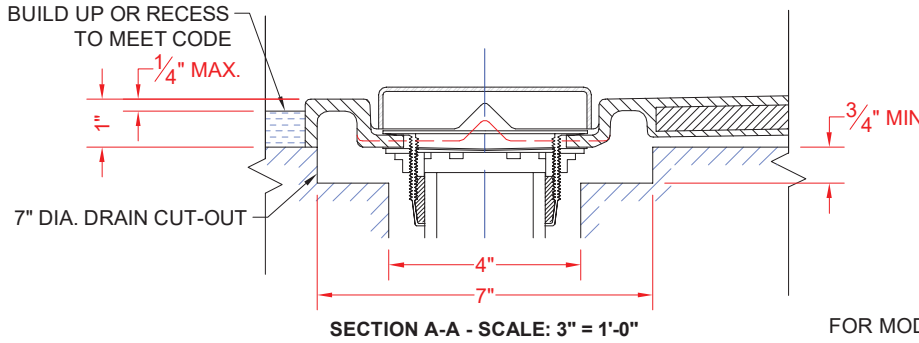
We reserve the right to make revisions without notice in the design of fixtures or in packaging unless this right has specifically been waived at the time the order is accepted.

# 5LES26333A75FTT.V2



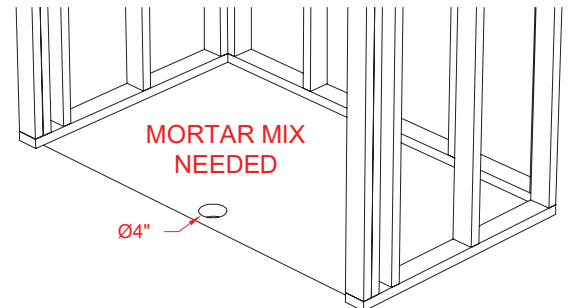
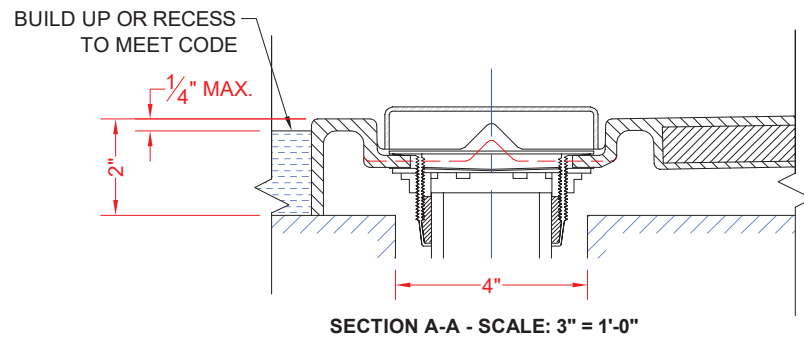
FOR MODELS ENDING IN A75FTT.V2, INSTALLATION REQUIRES A 7" x 18" x 3/4" CUT-OUT.

# 5LES26333A1FTT.V2



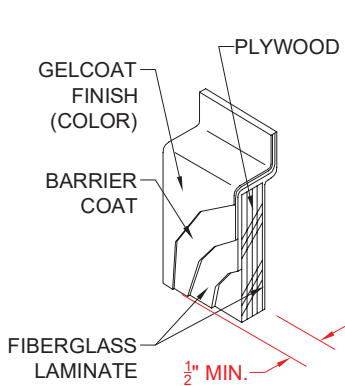
FOR MODELS ENDING IN A1FTT.V2 OR A12FTT.V2, INSTALLATION REQUIRES A 7" DIAMETER (OR 7" x 7" SQ) x 3/4" CUT-OUT.

# 5LES26333A2FTT.V2

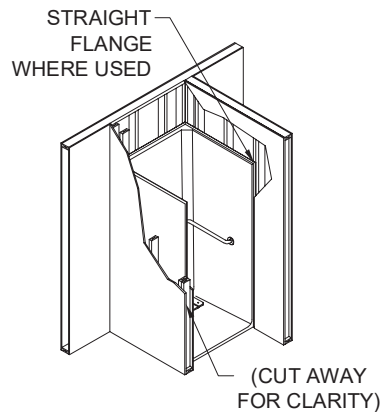


FOR MODELS ENDING IN A15FTT.V2, A17FTT.V2, OR A2FTT.V2, INSTALLATION REQUIRES A 4" DRAIN HOLE.

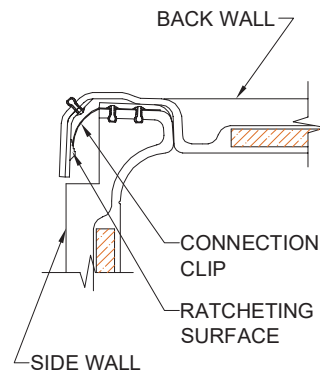
**ALL SHOWN AS INSTALLED WITH SOLID BRASS, NO-CAULK DRAIN FITTING (INCLUDED, INSTALLED BY OTHERS)**



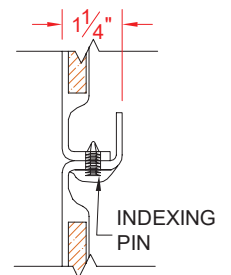
DETAIL B - SCALE: N.T.S.  
WALL SECTION DETAIL



DETAIL C - SCALE: NTS  
TYPICAL FRAMING



DETAIL D - SCALE: NTS  
BACK WALL JOINT DETAIL



DETAIL E - SCALE: NTS  
WALL JOINT DETAIL



Architectural Products for Barrier Free Living

www.barrierfree.org

(877) 717-7027