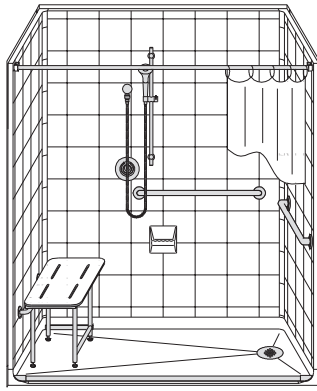


MODEL: 5LES6331E1B*

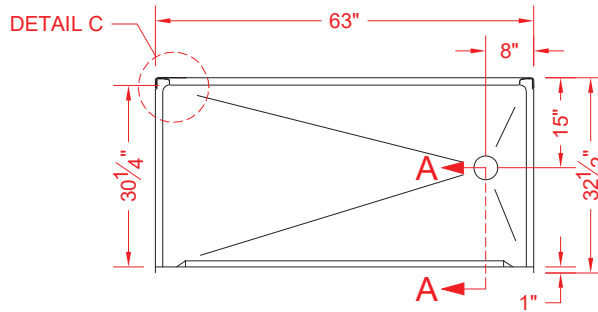


SEE OVER

ALL ACCESSORIES OPTIONAL



PERSPECTIVE VIEW - N.T.S.
MODEL SHOWN HERE AS:
LEFT PLUMBING
LEFT SEAT
RIGHT DRAIN



TOP VIEW - SCALE $\frac{3}{8}$ " = 1'-0"

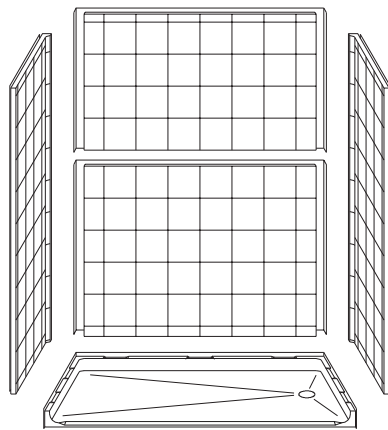
Features:

- ADA compliant multi piece roll-in shower
- Available in various threshold heights
- Molded, five piece gelcoat/fiberglass shower module
- "Eight Inch Tile" wall finish, white (standard)
- Integral full wood backing for strength and unlimited accessory placement
- On all threshold heights 1-1/2" or taller, no mud set is required
- On all threshold heights 1-1/4" or shorter, no mud set is required and an anchoring adhesive kit is supplied

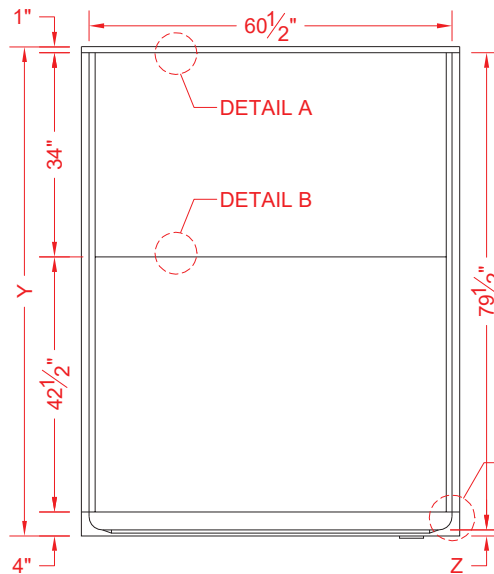
*OTHER THRESHOLD HEIGHTS AVAILABLE UPON REQUEST

MODEL #	UNIT HEIGHT	THRESHOLD HEIGHT
	Y	Z*
5LES6331E1B	81-1/2"	1" MIN.
5LES6331E2B	82-1/2"	2" MAX.

* - SEE BACK FOR DETAIL SECTIONS



ASSEMBLY VIEW - N.T.S.



FRONT ELEVATION - SCALE: $\frac{3}{8}$ " = 1'-0"

PRODUCT SPECIFICATIONS:

- Multi piece shower module shall be constructed of gelcoat/fiberglass with full integral plywood backing
- Rough-In: Stud opening +1/4" -0" Nominal Dimensions.

C.S.I. FORMAT SPECIFICATION TEXT AVAILABLE

PRODUCT INFORMATION:

- Accessories: Factory installed, unless prone to damage during installation/shipping. Polished chrome/satin stainless standard, others available.
- Colors: White as standard, others to match any major fixture manufacturer, also available with sprayable solid surface in many colors
- Custom curb heights, other than shown, are available (between min. and max.)

ACCESSORIES:

INSTALLED BY OTHERS:

- Grab bar
- Seat, folding
- Mixing valve, pressure balanced, lever handle, preplumbed tee to supply elbow
- Curtain and rod
- T-Shaped Rubber WaterStopper Kit
- Semi-permanent Threshold Adaptor
- Caulkless drain

CODES:

- Designed and manufactured in compliance with the following standards and codes:
- A.N.S.I. Z124.2 Standards for Plastic Showers
 - I.P.C. International Plumbing Code
 - U.P.C. Uniform Plumbing Code
 - A.D.A. Accessibility Guidelines for Buildings and Facilities
 - A.N.S.I. A117.1 Accessible and Usable Buildings and Facilities

NOTICE OF LIMITATION:

- Adhere to floor as required



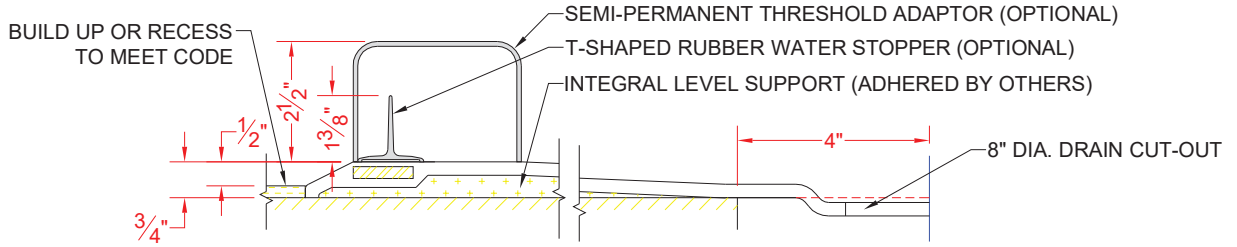
Architectural Products for Barrier Free Living

www.barrierfree.org

(877) 717-7027

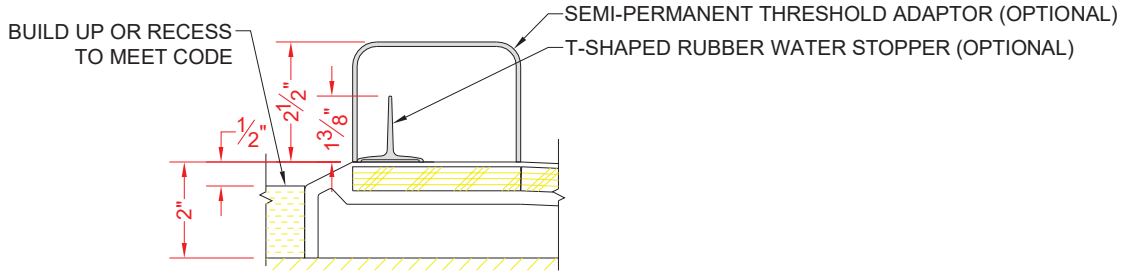
We reserve the right to make revisions without notice in the design of fixtures or in packaging unless this right has specifically been waived at the time the order is accepted.

5LES6331E1B



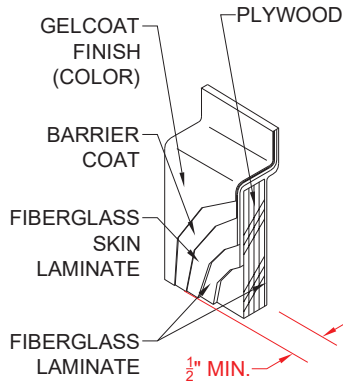
SECTION A-A - SCALE: 3" = 1'-0"

5LES6331E2B

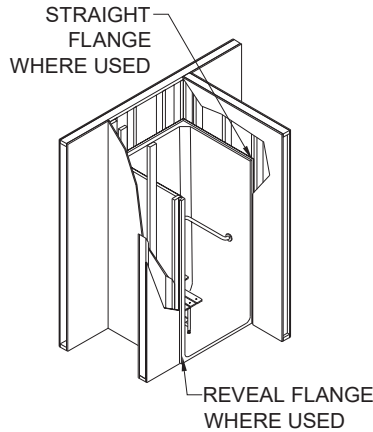


SECTION A-A - SCALE: 3" = 1'-0"

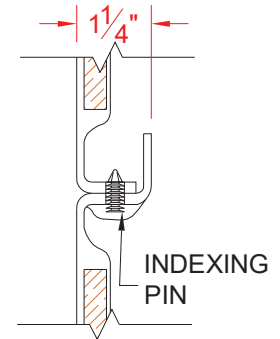
****OTHER THRESHOLD HEIGHTS AVAILABLE UPON REQUEST****



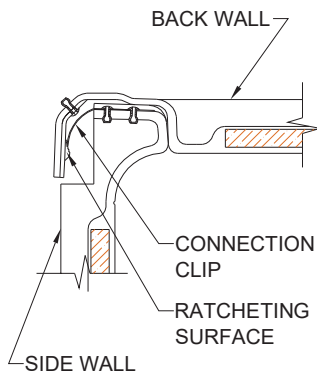
DETAIL A - SCALE: N.T.S.
WALL SECTION DETAIL



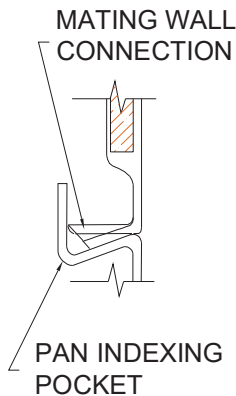
DETAIL B - SCALE: NTS
BACK WALL JOINT DETAIL



TYPICAL FRAMING



DETAIL C - SCALE: NTS
WALL JOINT DETAIL



DETAIL D - SCALE: NTS
PAN JOINT DETAIL