

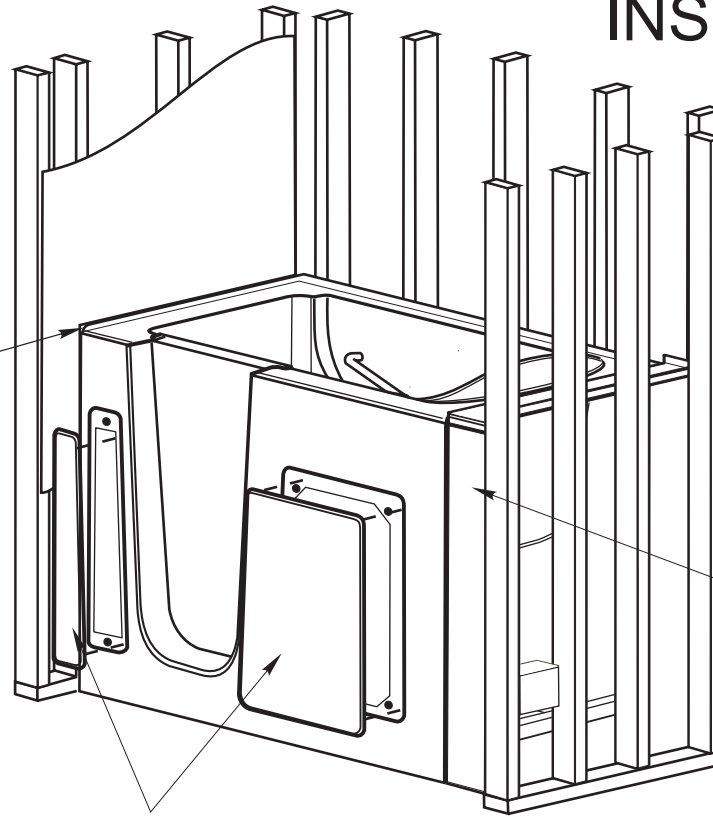
**HD Series Walk-in Bathtubs
Model 3155-D**

INSTALLATION DETAILS

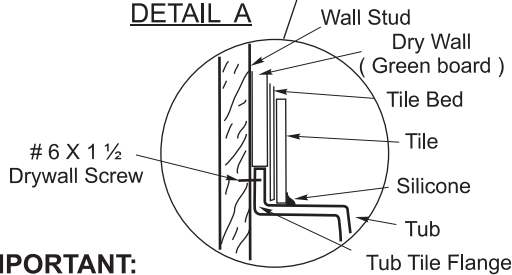
(85 gal. Operating capacity)

EXTENSION PANEL INSTALLATION

- Step 1. Slide front panel "A" onto front of tub.
- Step 2. Slide top panel "B" over tile flange.
- Step 3. Refer to Detail "A" on fastening flange to studs and sealing.



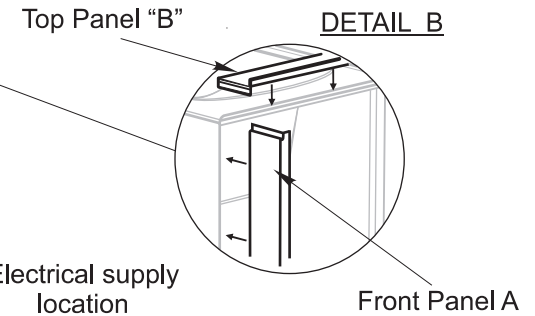
DETAIL A



IMPORTANT:

Pre-drill and screw tub flange to studs.
Do Not force tub flange to studs, this will cause the tub door to leak

DETAIL B



Removable access panels

