

# Straight Grab Bars with Concealed Flanges

Architectural, Commercial, Institutional

## "Twist-Lock" Concealed Flange (see technical page for detail)

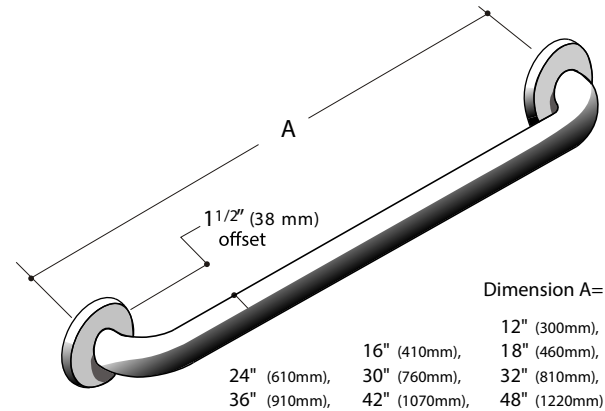
### SPECIFICATION: (Stainless Steel)

Straight Grab Bar with Twist-Lock concealed flange. Manufactured by ELCOMA from 18 gauge, Type 304, satin finished, stainless steel tubing. 14 gauge stainless steel mounting flange shall be Heliarc welded to the tube to form a single structural unit. Grab Bar shall comply with all applicable federal and local building and safety codes.

- |                       |                  |
|-----------------------|------------------|
| 1.25" (32mm) bar dia. | Model # 01-22*ST |
| 1.50" (38mm) bar dia. | Model # 01-52*ST |

(\* insert bar length in inches )

(Substitute S for smooth with K for Knurled grip,  
P for Peened grip, or G for SHUR-GRIP)



Custom sizes are available to suit special requirements.

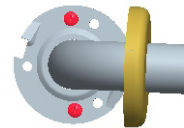
### SPECIFICATION: (Painted Stainless Steel)

Straight Grab Bar with Twist-Lock concealed flange. Manufactured by ELCOMA from 18 gauge, Type 304, satin finished, stainless steel tubing. 14 gauge stainless steel mounting flange shall be Heliarc welded to the tube to form a single structural unit. Grab Bar shall have a polyester powder coating. It shall comply with all applicable federal and local building and safety codes.

(\* insert bar length in inches )

- |                        |        |   |
|------------------------|--------|---|
| 1.25" (32 mm) bar dia. | White  | Model # 01-26*ST01 (substitute S for smooth with G for SHUR-GRIP) |
| 1.25" (32 mm) bar dia. | Almond | Model # 01-26*ST02  |
| 1.50" (38 mm) bar dia. | White  | Model # 01-56*ST01  |
| 1.50" (38 mm) bar dia. | Almond | Model # 01-56*ST02  |

Twist-Lock "T" Concealed Flange



For painted bars there are more than 25 designer colors available on special request.  
All bars supplied with stainless steel mounting screws

