

# • TOILET ARM SUPPORT

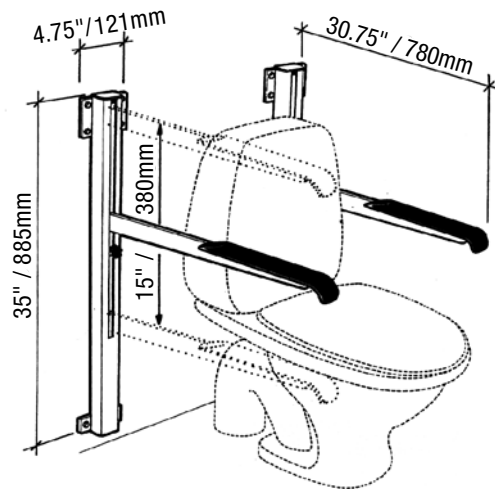
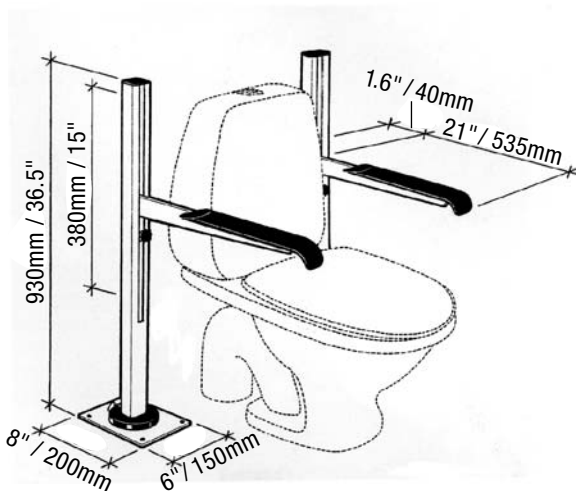
**FLEXI**



- Model 94B**
- Fixed to the floor
  - Flexible height adjustment
  - Lockable height
  - Rotatable 360° with 12 locking positions
  - Retractable
  - Suitable for floor-mounted toilets



- Model 94C**
- Fixed to the wall
  - Flexible height adjustment
  - Suitable for wall-mounted toilets



*MATERIAL: All frames are made of white anodized aluminum.  
The feet are made of steel and coated white with Rilsan®.  
The armrests and the other plastic components are made of impact resistant nylon (polyamide).*

Visit our showroom at the BARRIER FREE LIVING CENTRE, 2788 Bathurst St. Ste 219, Toronto ON Canada M6B 3A3



**BARRIER FREE**  
ARCHITECTURALS INC.



Architectural Products for Barrier Free Living  
Tel 416 783 5331 Fax 416 783 6505  
Toll free 1 877 717 7027 e-mail info@barrierfree.org

web site  
[www.barrierfree.org](http://www.barrierfree.org)