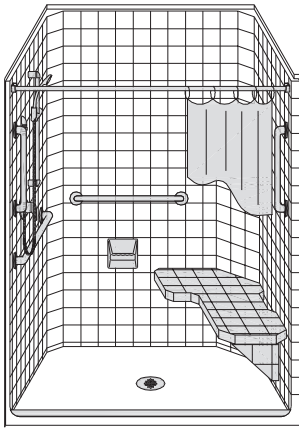


# MODEL: LCS5038B5B\*



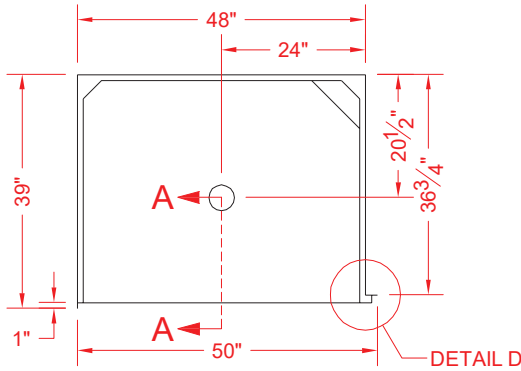
BARRIER FREE



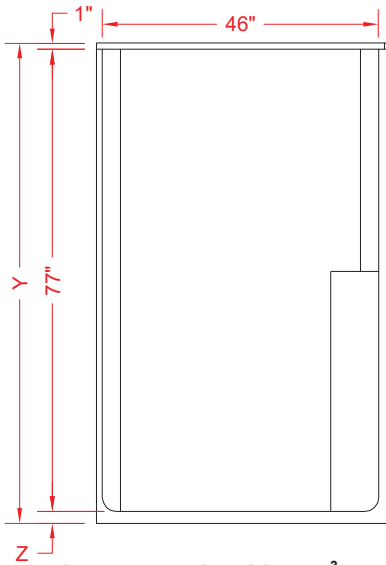
PERSPECTIVE VIEW - N.T.S.  
MODEL SHOWN HERE AS:

RIGHT REVEAL  
RIGHT SEAT  
LEFT PLUMBING

ALL ACCESSORIES OPTIONAL



TOP VIEW - SCALE  $\frac{3}{8}'' = 1'-0''$



FRONT ELEVATION - SCALE:  $\frac{3}{8}'' = 1'-0''$



## Features:

- Molded, one piece gelcoat/fiberglass shower module
- Available in various threshold heights
- "Classic Tile" wall finish, white (standard)
- Integral full wood backing for strength and unlimited accessory placement
- "Reveal 90" front flange design allows for clear floor space and transfer
- On all threshold, heights 1-1/2" or taller, no mud set is required
- On all threshold, heights 1-1/4" or shorter, no mud set is required, but an epoxy adhesive kit is supplied

## \*OTHER THRESHOLD HEIGHTS AVAILABLE UPON REQUEST

MODEL #	UNIT HEIGHT	THRESHOLD HEIGHT
LCS5038B5B	Y	Z*
LCS5038B5B	78-5/8"	5/8" MIN.
LCS5038B2B	80"	2" MAX.

\* - SEE BACK FOR DETAIL SECTIONS

## PRODUCT SPECIFICATIONS:

- One piece shower module shall be constructed of gelcoat/fiberglass with full integral plywood backing
- Rough-In: Stud opening +1/4" -0" Nominal Dimensions.

C.S.I. FORMAT SPECIFICATION TEXT AVAILABLE

## PRODUCT INFORMATION:

- Accessories: Factory installed, unless prone to damage during installation/shipping. Polished chrome/satin stainless standard, others available.
- Colors: White as standard, others to match any major fixture manufacturer, also available with sprayable solid surface in many colors
- Custom curb heights, other than shown, are available (between min. and max.)

## ACCESSORIES:

### INSTALLED AT FACTORY:

- Grab bar
- Seat, molded-bolt on
- Mixing valve, pressure balanced, lever handle, preplumbed tree to supply elbow
- Vacuum breaker
- Soap dish

### INSTALLED BY OTHERS:

- Curtain and rod
- Collapsible Rubber Water Retainer
- Semi-permanent Threshold Adaptor
- Caulkless drain

## CODES:

- Designed and manufactured in compliance with the following standards and codes:
- A.N.S.I. Z124.2 Standards for Plastic Showers
  - I.P.C. International Plumbing Code
  - U.P.C. Uniform Plumbing Cod

## NOTICE OF LIMITATION:

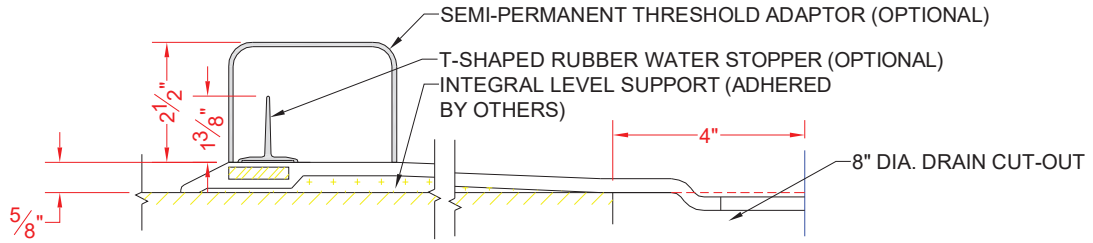


Architectural Products for Barrier Free Living

www.barrierfree.org (877) 717-7027

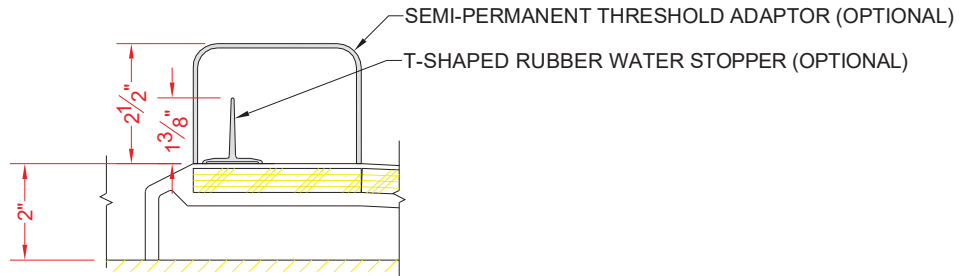
We reserve the right to make revisions without notice in the design of fixtures or in packaging unless this right has specifically been waived at the time the order is accepted.

**LCS5038B5B**



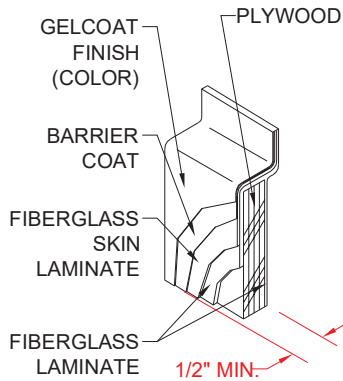
**SECTION A-A - SCALE: 3" = 1'-0"**

**LCS5038B2B**

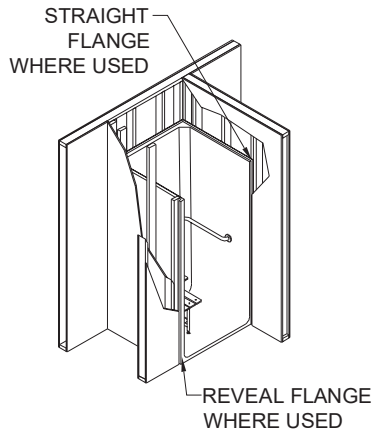


**SECTION A-A - SCALE: 3" = 1'-0"**

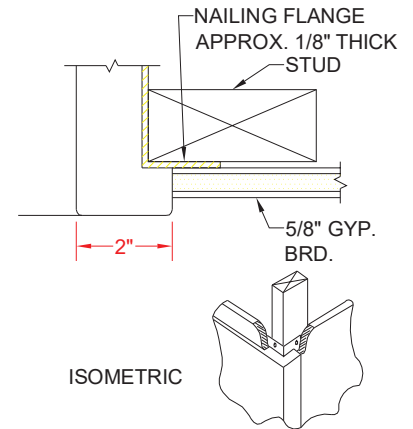
**\*\*OTHER THRESHOLD HEIGHTS AVAILABLE UPON REQUEST\*\***



**DETAIL B - SCALE: 3" = 1'-0"**  
**WALL SECTION DETAIL**



**DETAIL C - SCALE: NTS**  
**TYPICAL FRAMING**



**DETAIL D - SCALE: 3" = 1'-0"**  
**REVEAL DETAIL**