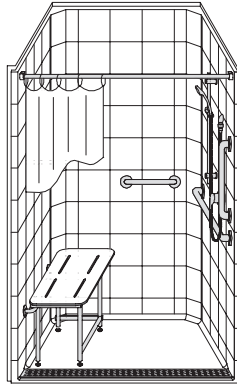
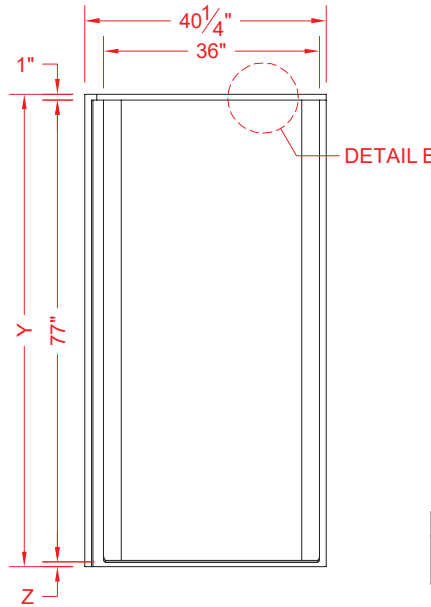
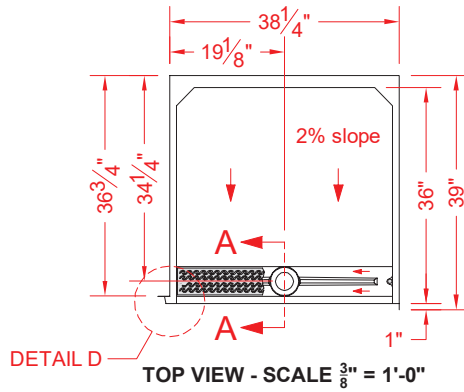


MODEL: LES24038A75FTT.V2*

ALL ACCESSORIES OPTIONAL †



PERSPECTIVE VIEW - N.T.S.
MODEL SHOWN HERE AS:
 RIGHT PLUMBING
 LEFT SEAT
 LEFT REVEAL
 SEE NOTICE OF LIMITATION †



Features:

- ADA compliant transfer shower with a trench drain under a magnetic stainless steel grate
- Available in various threshold heights
- Molded, single-piece gelcoat/fiberglass shower
- "Eight Inch Tile" wall finish, white (standard)
- Integral full wood backing for strength and unlimited accessory placement
- "Reveal 90" front flange design allows for clear floor space and transfer
- On all threshold heights 1-1/4" or shorter, no mud set is required, and an anchoring adhesive kit is supplied
- On all threshold heights 1-1/2" or taller, mud set is required

*OTHER THRESHOLD HEIGHTS AVAILABLE UPON REQUEST

MODEL #	UNIT HEIGHT	THRESHOLD HEIGHT
LES24038A75FTT.V2	Y	Z*
LES24038A75FTT.V2	78-3/4"	3/4" MIN.
LES24038A2FTT.V2	80"	2" MAX.

* - SEE BACK FOR DETAIL SECTIONS

PRODUCT SPECIFICATIONS:

- Single-piece shower module shall be constructed of gelcoat/fiberglass with full integral plywood backing and stainless steel trench drain grate
- Rough-In: Stud opening +1/4" -0" Nominal Dimensions.

C.S.I. FORMAT SPECIFICATION TEXT AVAILABLE

PRODUCT INFORMATION:

- Accessories: Factory installed, unless prone to damage during installation/shipping. Polished chrome/satin stainless standard, others available.
- Colors: White as standard, others to match any major fixture manufacturer, also available with sprayable solid surface in many colors
- Custom curb heights, other than shown, are available (between min. and max.)

ACCESSORIES:

INSTALLED AT FACTORY:

- Grab bar
- Seat, folding
- Mixing valve, pressure-balancing, lever handle, pre-plumbed tree to supply elbow
- Soap dish

INSTALLED BY OTHERS:

- Curtain and rod
- No-caulk brass drain (included)

CODES:

- Designed and manufactured in compliance with the following standards and codes:
- A.N.S.I. Z124.2 Standards for Plastic Showers
 - I.P.C. International Plumbing Code
 - A.D.A. Accessibility Guidelines for Buildings and Facilities
 - A.N.S.I. A117.1 Accessible and Usable Buildings and Facilities
 - U.P.C. Uniform Plumbing Code

NOTICE OF LIMITATION:

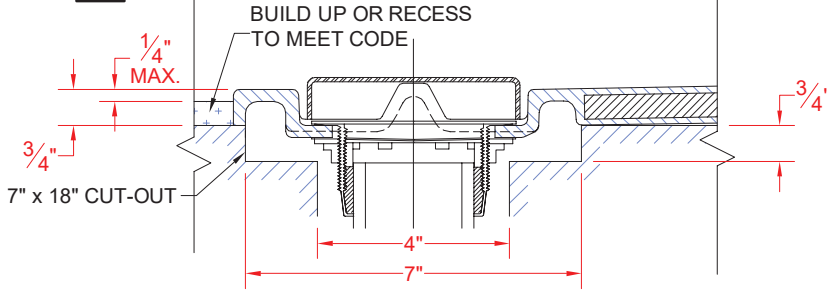
- Recess as needed to meet code
- Reveal not recommended on common wall

† ADA/ANSI code requires a seat and grab bars (as shown, sold separately) to be compliant.

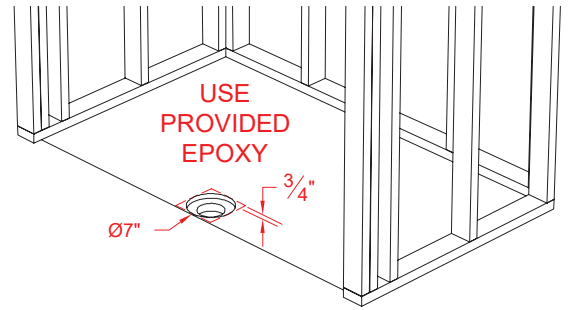


We reserve the right to make revisions without notice in the design of fixtures or in packaging unless this right has specifically been waived at the time the order is accepted.

LES24038A75FTT.V2

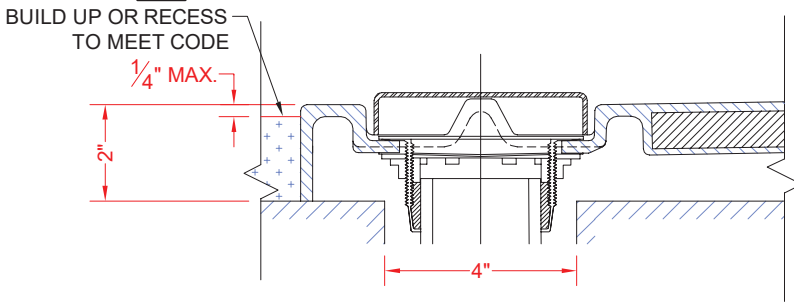


SECTION A-A - SCALE: 3" = 1'-0"

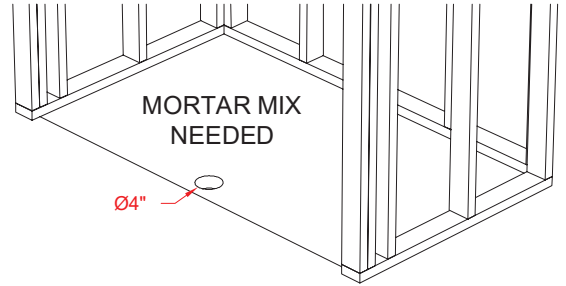


FOR MODELS ENDING IN 75FTT.V2, INSTALLATION REQUIRES A 7" x 18" x 3/4" CUT-OUT.

LES24038A2FTT.V2

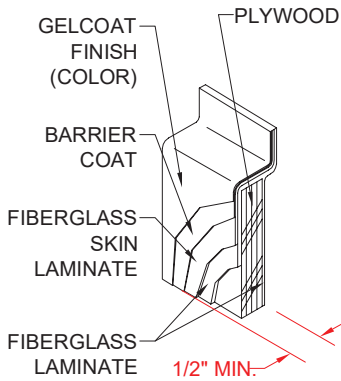


SECTION A-A - SCALE: 3" = 1'-0"

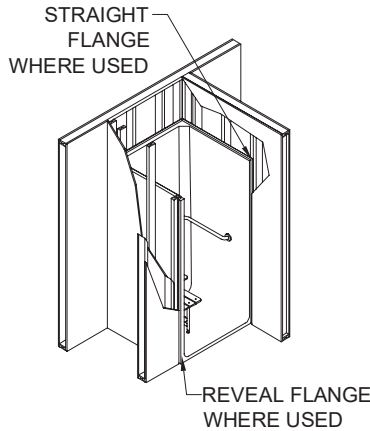


FOR MODELS ENDING IN 15FTT.V2, 17FTT.V2, OR 2FTT.V2, INSTALLATION REQUIRES A 4" DRAIN HOLE.

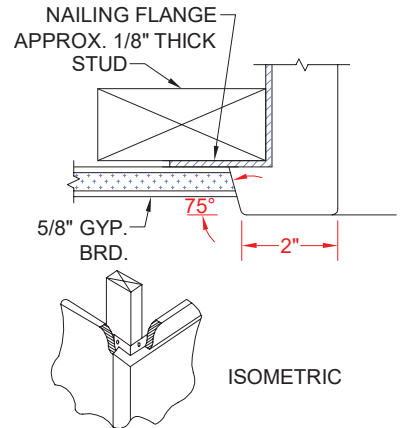
****OTHER THRESHOLD HEIGHTS AVAILABLE UPON REQUEST****



DETAIL B - SCALE: NTS
WALL SECTION DETAIL



DETAIL C - SCALE: NTS
TYPICAL FRAMING



DETAIL D - SCALE: 3" = 1'-0"
REVEAL DETAIL