



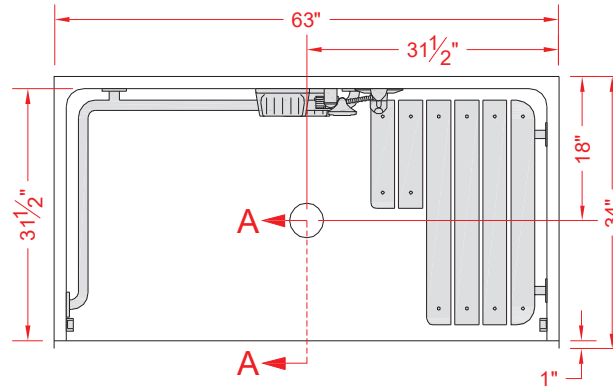
CA TITLE 24
COMPLIANT



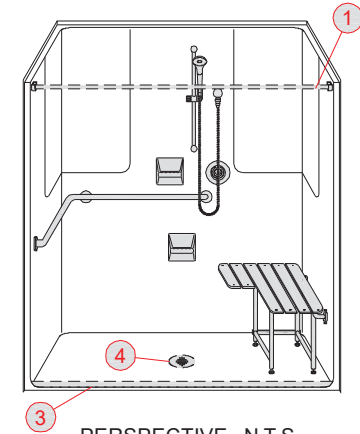
COMMERCIAL GRADE

MASTER

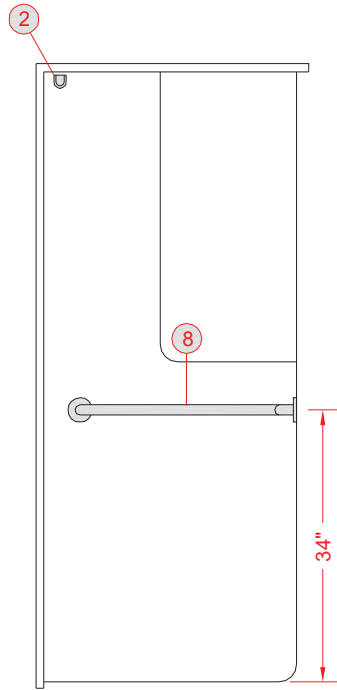
ACCESSIBLE



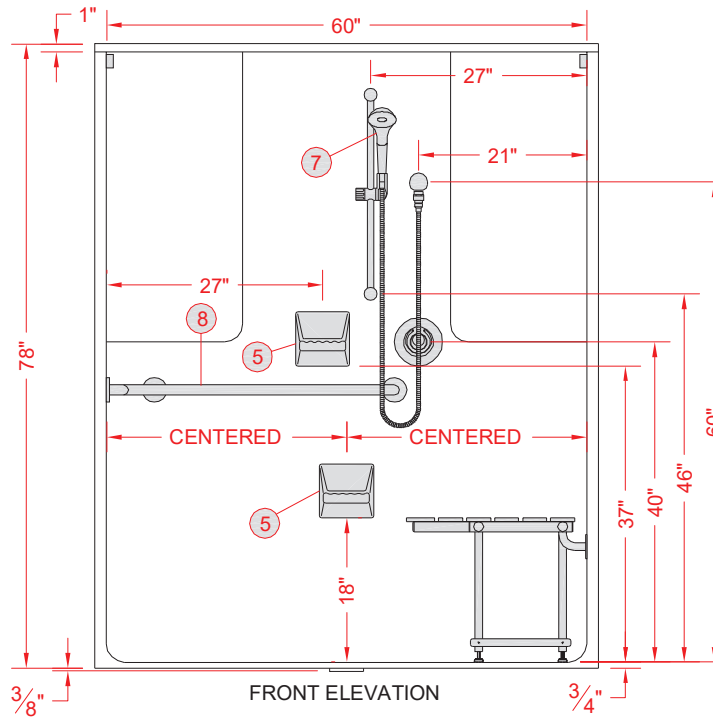
TOP VIEW



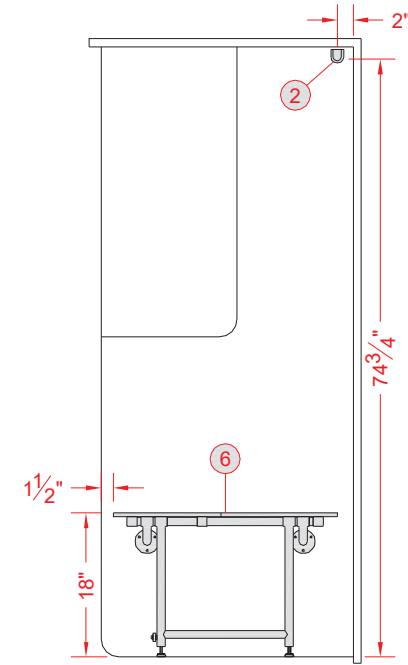
PERSPECTIVE - N.T.S.



LEFT ELEVATION



FRONT ELEVATION



RIGHT ELEVATION

REV	CHANGE	DATE
-	-	-
-	-	-
-	-	-
-	-	-

PROJECT:
COMPANY:

DB: MA SCALE: 1/2" = 1'-0"
CB: PVR SHEET 1 OF 2

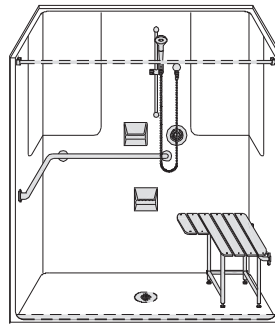
DATE: 01/04/08
DRAWING NUMBER: 4509



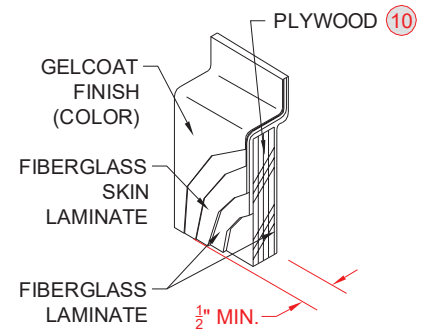
NOTES:
ALL VERTICAL ACCESSORY DIMENSIONS ARE MEASURED FROM THE FLOOR OF THE SHOWER

ACCEPTED AS CORRECT BY:

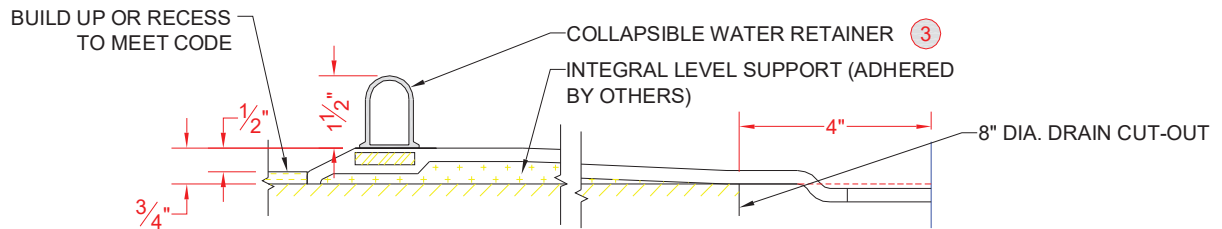
X _____ / /



PERSPECTIVE N.T.S.



LAMINATE DETAIL C - SCALE: 3" = 1'-0"



SECTION A-A - SCALE: 3" = 1'-0"

UNIT WEIGHT:

NOTES:

KEY	QTY.	DESCRIPTION	COLOR	PART NUMBER	FACTORY INSTALLED	INSTALLED BY OTHERS	MARK LOCATION ONLY	PRE-DRILL HOLES
23	-		-	-				
22	-		-	-				
21	-		-	-				
20	-		-	-				
19	-		-	-				
18	-		-	-				
17	-		-	-				
16	-		-	-				
15	-		-	-				
14	-		-	-				
13	-		-	-				
12	-		-	-				
11	-		-	-				
10	-	FULL PLYWOOD BACKING	-	-	✓			
9	1	CORRUGATED PROTECTIVE PAD	-	-	✓			
8	1	27" x 36" x 1-1/4" L GRAB BAR	-	-	✓			
7	1	SYMMONS S-96-300-B30-L-X-V, VALVE AND GLIDE BAR KIT	-	-	✓			
6	1	28" x 21" FOLD DOWN SEAT WITH SWING DOWN LEGS, PHENOLIC	-	-	✓			
5	2	SURFACE MOUNT SOAP DISH	-	-	✓			
4	1	SIOUX CHIEF DRAIN #827-2B	-	-		✓		✓
3	1	COLLAPSIBLE RUBBER WATER RETAINER	-	-		✓		
2	1	AQA MOUNTING BRACKET SET	-	-	✓			
1	1	CURTAIN ROD	-	-		✓		

PARTS LIST