



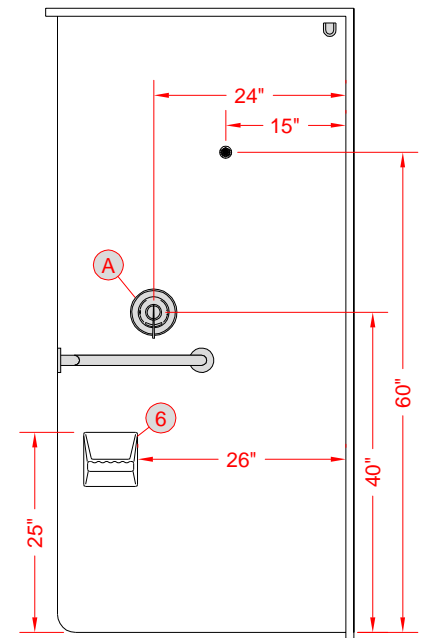
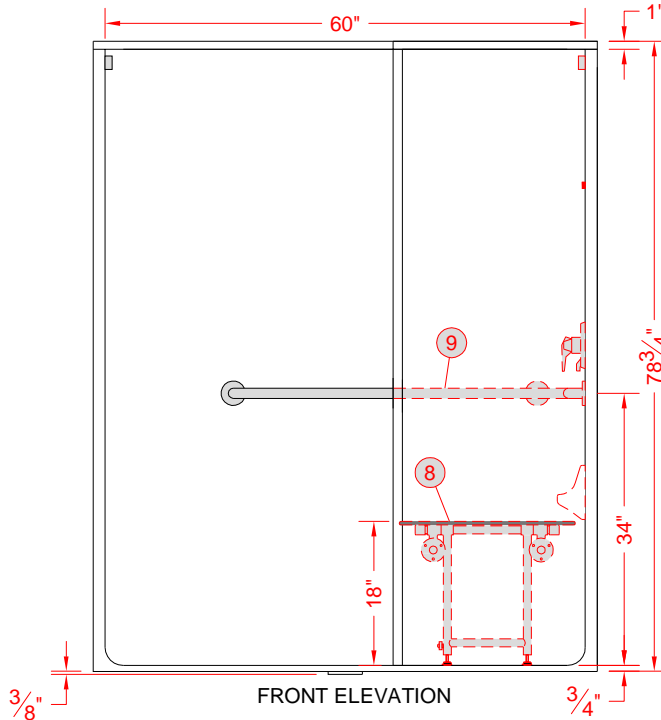
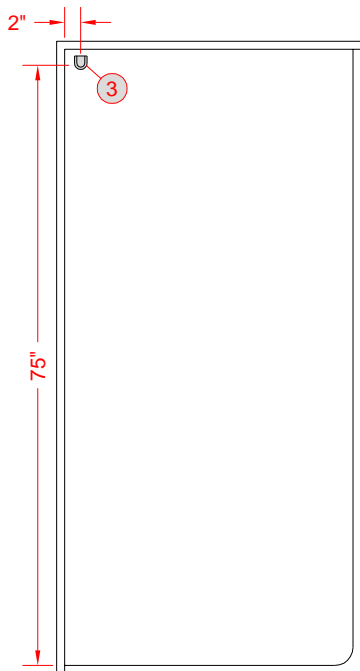
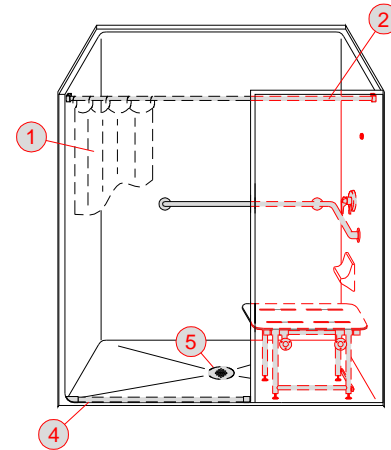
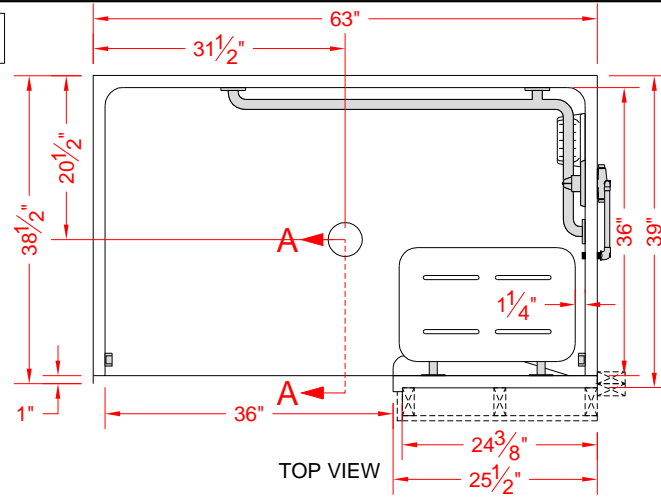
CA TITLE 24
COMPLIANT



COMMERCIAL GRADE

ACCESSIBLE

MASTER



E	---	---
D	---	---
C	---	---
B	---	---
A	---	---
REV	CHANGE	DATE

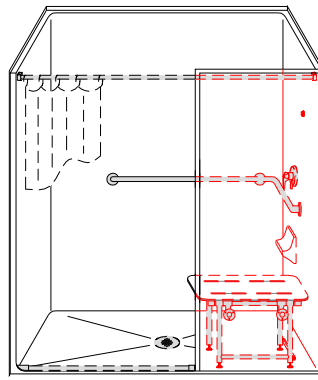
PROJECT: -
COMPANY: -

DB: MA SCALE: 1/2" = 1'-0" DATE: 02/02/11
CB: PVR SHEET 1 OF 2 DRAWING NUMBER: CA BINDER

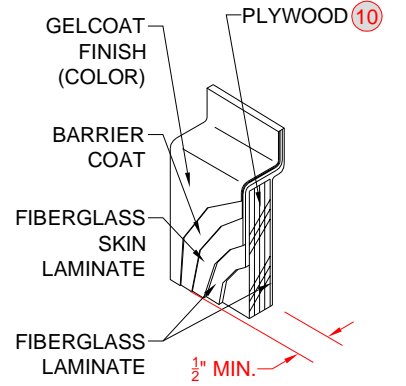


NOTES:
 • Rough-in stud opening +1/4" -0" nominal dimensions
 • All vertical accessory dimensions are measured from the floor of the shower.
 • Best Bath Systems, Inc. retains ownership of all product designs and any proprietary information may not be disclosed to its competitors, their agents or affiliates.

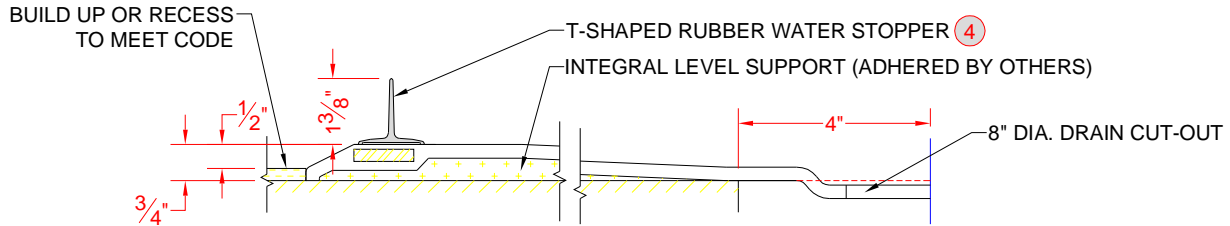
ACCEPTED AS CORRECT BY:
 X _____ / /



PERSPECTIVE N.T.S.



LAMINATE DETAIL C - SCALE: 3" = 1'-0"



SECTION A-A - SCALE: 3" = 1'-0"

UNIT WEIGHT:

NOTES:

VALVE PACKAGE DETAILS:

A	1	VALVE PKG KIT INCLUDES SYMMONS S-96-300-B30-L-X-V WITH 1.5 GPM FLOW RESTRICTOR AND ALSONS PORTER HOLDER - VALVE INSTALLED. GLIDE BAR, SUPPLY ELBOW, VACUUM BREAKER, HANDHELD AND PORTER HOLDER SHIPPED LOOSE.		KACXSYM1006	✓			
PLUMBING TREE:		SYMMONS STANDARD 20" WITH 3-PORT VALVE		PTS172 B	✓			
PT NIPPLE SIZE:		STANDARD 2.5" NIPPLE	SUPPLY TEST:	STANDARD	020PLUM1003	✓		
PLUMBING TREE CUSTOM PARTS:		N/A						

16								
15								
14								
13								
12								
11								
10	-	FULL PLYWOOD BACKING				✓		
9	1	18" x 44" x 1-1/4" L GRAB BAR		GB1844QSS		✓		
8	1	22" x 16" FOLD DOWN SEAT WITH SWING DOWN LEGS, PHENOLIC		SE2216PHS		✓		
7	1	SURFACE MOUNT SOAP DISH	WHITE	KSOAPDISHSMAA			✓	
6	1	SURFACE MOUNT SOAP DISH	WHITE	SOAPDISHSMAA		✓		
5	1	NO CAULK BRASS DRAIN WITH STAINLESS STEEL SCREEN		ACXDRAIN1000			✓	✓
4	1	T-SHAPED RUBBER WATER STOPPER KIT, 5 FT, LARGE END CAPS	GREY	KTWSG5L			✓	
3	1	AQA MOUNTING BRACKETS (PART OF CURTAIN ROD KIT)		-		✓		
2	1	CURTAIN ROD KIT		KACX ROD 59.5			✓	
1	1	42" x 74" CURTAIN		KACXCURT0001			✓	
KEY	QTY.	DESCRIPTION	COLOR	PART NUMBER	FACTORY INSTALLED	INSTALLED BY OTHERS	MARK LOCATION ONLY	PRE-DRILL HOLES

PARTS LIST



PROJECT: -
COMPANY: -

REFER TO SHEET 1 OF 2 FOR ACCESSORY LOCATIONS

DATE: 02/02/11
DRAWING NUMBER: CA BINDER
SHEET 2 OF 2



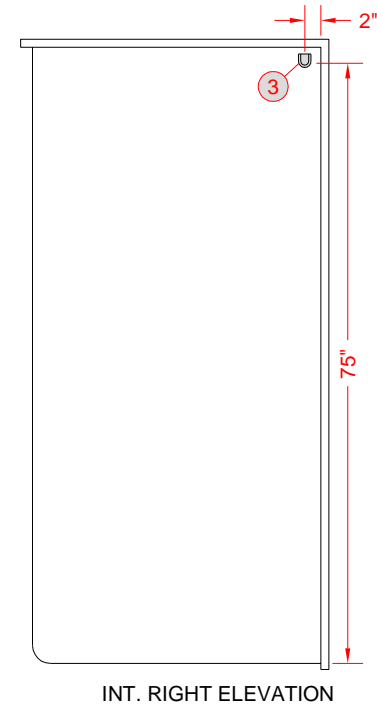
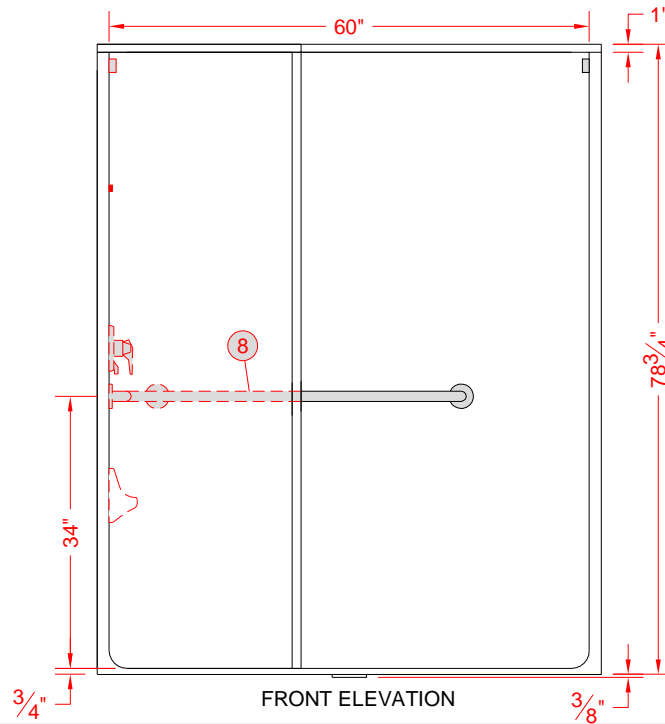
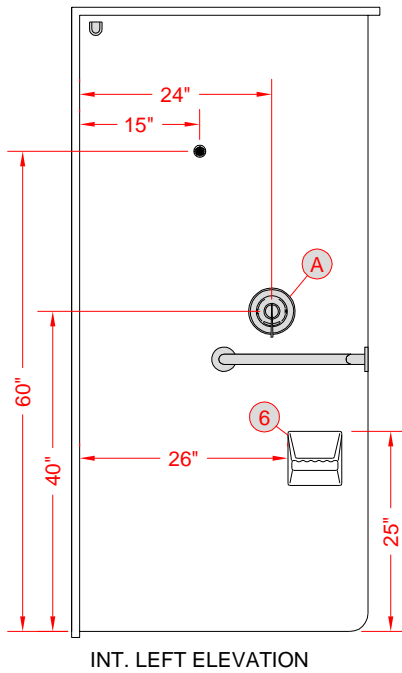
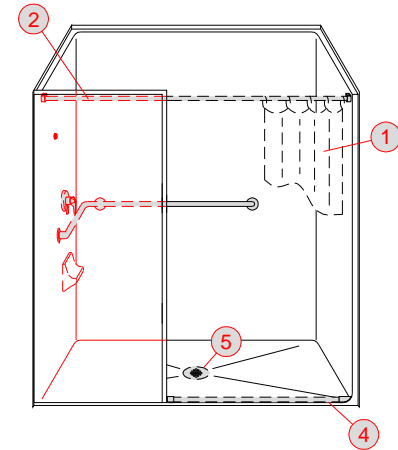
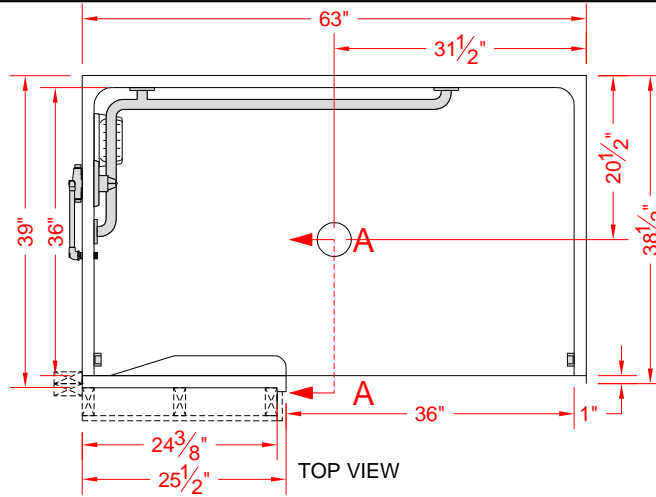
CA TITLE 24 COMPLIANT

APPRVD BY ENG

COMMERCIAL GRADE

ADAPTABLE

MASTER



E	---	---
D	---	---
C	---	---
B	---	---
A	---	---
REV	CHANGE	DATE

PROJECT: -
COMPANY: -

DB: MA SCALE: 1/2" = 1'-0"
CB: PVR SHEET 1 OF 2

DATE: 02/02/11
DRAWING NUMBER: CA BINDER

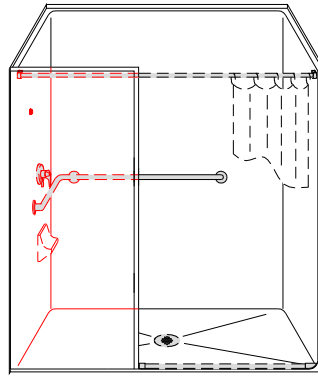


NOTES:
 • Rough-in stud opening +1/4" -0" nominal dimensions
 • All vertical accessory dimensions are measured from the floor of the shower.
 • Best Bath Systems, Inc. retains ownership of all product designs and any proprietary information may not be disclosed to its competitors, their agents or affiliates.

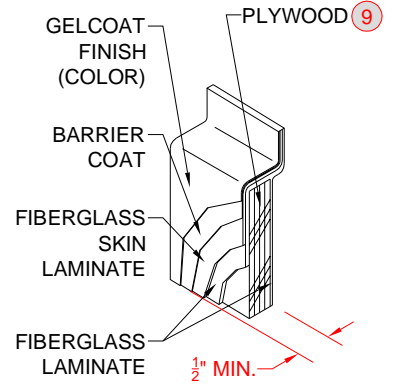
ACCEPTED AS CORRECT BY:
 X _____ / /

OPTION VERIFICATION

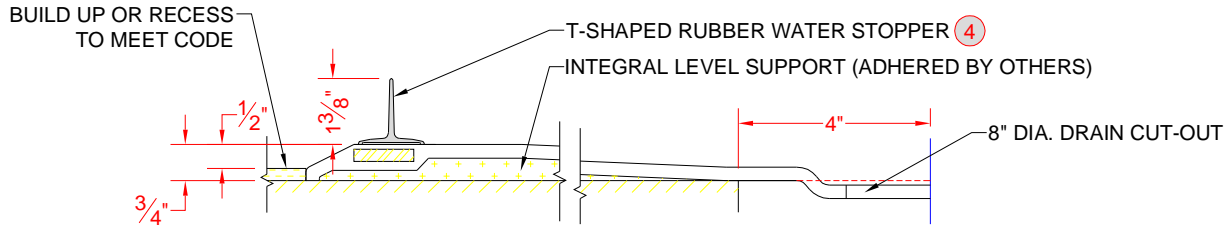
MODEL: LSS26337W75BCG - LEFT PLUMBING



PERSPECTIVE N.T.S.



LAMINATE DETAIL C - SCALE: 3" = 1'-0"



SECTION A-A - SCALE: 3" = 1'-0"

UNIT WEIGHT:

NOTES:

VALVE PACKAGE DETAILS:

A	1	VALVE PKG KIT INCLUDES SYMMONS S-96-300-B30-L-X-V WITH 1.5 GPM FLOW RESTRICTOR AND ALSONS PORTER HOLDER - VALVE INSTALLED. GLIDE BAR, SUPPLY ELBOW, VACUUM BREAKER, HANDHELD AND PORTER HOLDER SHIPPED LOOSE.		KACXSYM1006	✓			
PLUMBING TREE:		SYMMONS STANDARD 20" WITH 3-PORT VALVE		PTS172 A	✓			
PT NIPPLE SIZE:		STANDARD 2.5" NIPPLE	SUPPLY TEST:	STANDARD	020PLUM1003	✓		
PLUMBING TREE CUSTOM PARTS:		N/A						

16								
15								
14								
13								
12								
11								
10								
9	-	FULL PLYWOOD BACKING				✓		
8	1	18" x 44" x 1-1/4" L GRAB BAR		GB1844QSS		✓		
7	1	SURFACE MOUNT SOAP DISH	WHITE	KSOAPDISHSMAA		✓		
6	1	SURFACE MOUNT SOAP DISH	WHITE	SOAPDISHSMAA		✓		
5	1	NO CAULK BRASS DRAIN WITH STAINLESS STEEL SCREEN		ACXDRAIN1000		✓		✓
4	1	T-SHAPED RUBBER WATER STOPPER KIT, 5 FT, LARGE END CAPS	GREY	KTWSG5L		✓		
3	1	AQA MOUNTING BRACKETS (PART OF CURTAIN ROD KIT)		-		✓		
2	1	CURTAIN ROD KIT		KACX ROD 59.5		✓		
1	1	42" x 74" CURTAIN		KACXCURT0001		✓		
KEY	QTY.	DESCRIPTION	COLOR	PART NUMBER	FACTORY INSTALLED	INSTALLED BY OTHERS	MARK LOCATION ONLY	PRE-DRILL HOLES

PARTS LIST



PROJECT: -
COMPANY: -

REFER TO SHEET 1 OF 2 FOR ACCESSORY LOCATIONS

DATE: 02/02/11
DRAWING NUMBER: CA BINDER
SHEET 2 OF 2