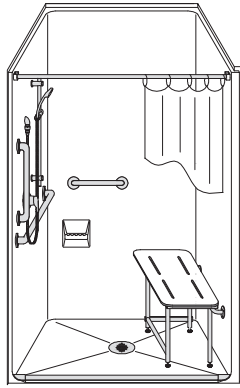
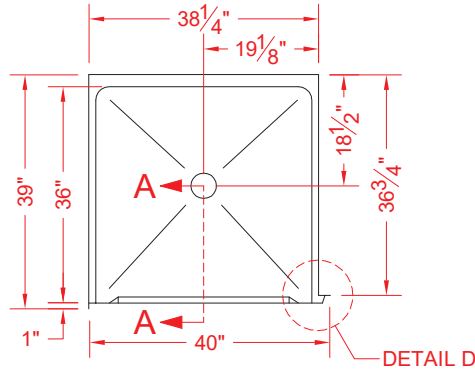


# MODEL: LSS4038A5B\*

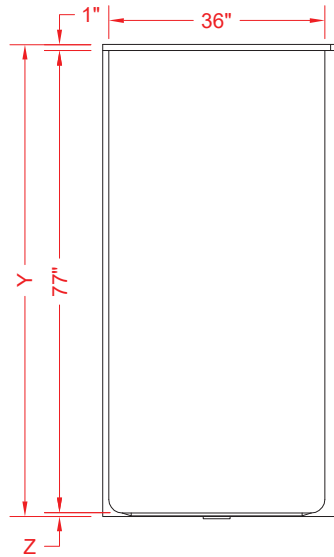
ALL ACCESSORIES OPTIONAL †



**PERSPECTIVE VIEW - N.T.S.**  
**MODEL SHOWN HERE AS:**  
 LEFT PLUMBING, OPP SEAT/REVEAL  
 SEE NOTICE OF LIMITATION †



**TOP VIEW - SCALE  $\frac{3}{8}'' = 1'-0''$**



**FRONT ELEVATION - SCALE:  $\frac{3}{8}'' = 1'-0''$**

## Features:

- ADA compliant transfer shower
- Available in various threshold heights
- Molded, one piece gelcoat/fiberglass shower module
- "Smooth" finish, white (standard)
- Integral full wood backing for strength and unlimited accessory placement
- "Reveal 90" front flange design allows for clear floor space and transfer
- On all threshold heights 1-1/2" or taller, no mud set is required
- On all threshold heights 1-1/4" or shorter, no mud set is required and an anchoring adhesive kit is supplied

## \*OTHER THRESHOLD HEIGHTS AVAILABLE UPON REQUEST

MODEL #	UNIT HEIGHT	THRESHOLD HEIGHT
	Y	Z*
LSS4038A5B	78-5/8"	5/8" MIN.
LSS4038A2B	80"	2" MAX.

\* - SEE BACK FOR DETAIL SECTIONS

## PRODUCT SPECIFICATIONS:

- One piece shower module shall be constructed of gelcoat/fiberglass with full integral plywood backing
- Rough-In: Stud opening +1/4" -0" Nominal Dimensions.

C.S.I. FORMAT SPECIFICATION TEXT AVAILABLE

### PRODUCT INFORMATION:

- Accessories: Factory installed, unless prone to damage during installation/shipping. Polished chrome/satin stainless standard, others available.
- Colors: White as standard, others to match any major fixture manufacturer, also available with sprayable solid surface in many colors
- Custom curb heights, other than shown, are available (between min. and max.)

### ACCESSORIES: (OPTIONAL)

#### INSTALLED AT FACTORY:

- Grab bar
- Seat, folding
- Mixing valve, pressure balanced, lever handle, preplumbed tree to supply elbow
- Soap dish
- Shower Dome

#### INSTALLED BY OTHERS:

- Curtain and rod
- T-Shaped Rubber WaterStopper Kit
- Semi-permanent Threshold Adaptor
- Caulkless drain

### CODES:

- Designed and manufactured in compliance with the following standards and codes:
- A.N.S.I. Z124.2 Standards for Plastic Showers
  - I.P.C. International Plumbing Code
  - A.D.A. Accessibility Guidelines for Buildings and Facilities
  - A.N.S.I. A117.1 Accessible and Usable Buildings and Facilities
  - U.P.C. Uniform Plumbing Code

### NOTICE OF LIMITATION:

- Recess as needed to meet code
- Adhere to floor as required
- Reveal not recommended on common wall

† ADA/ANSI code requires a seat and grab bars (as shown, sold separately) to be compliant.

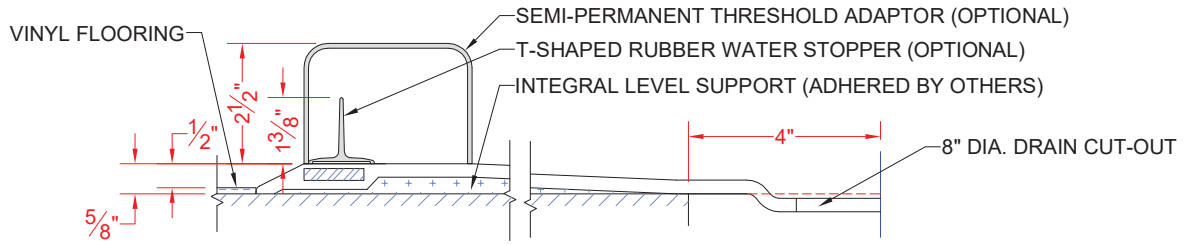


Architectural Products for Barrier Free Living

www.barrierfree.org (877) 717-7027

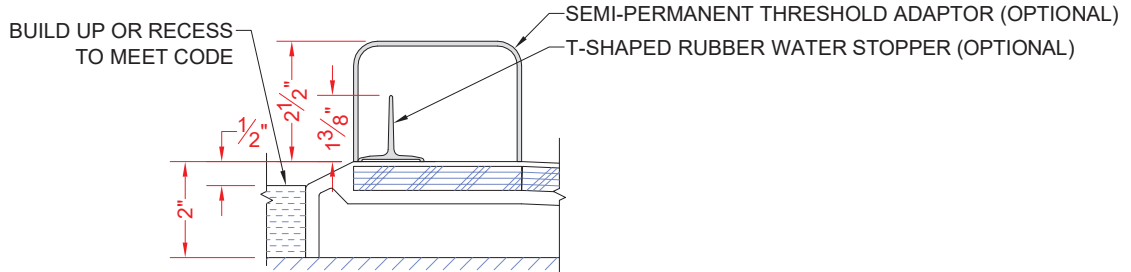
We reserve the right to make revisions without notice in the design of fixtures or in packaging unless this right has specifically been waived at the time the order is accepted.

**LSS4038A5B**



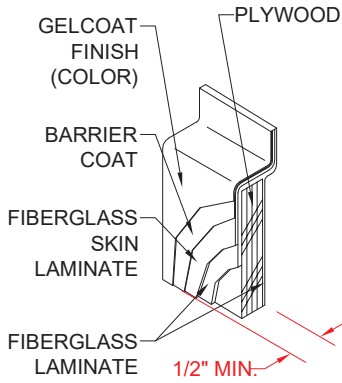
**SECTION A-A - SCALE: 3" = 1'-0"**

**LSS4038A2B**

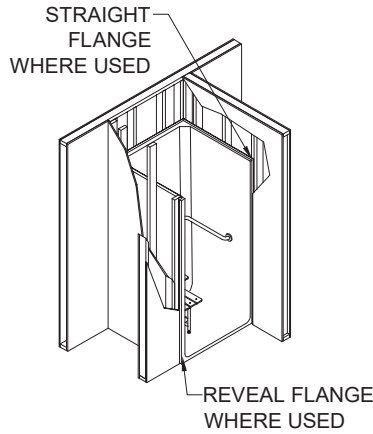


**SECTION A-A - SCALE: 3" = 1'-0"**

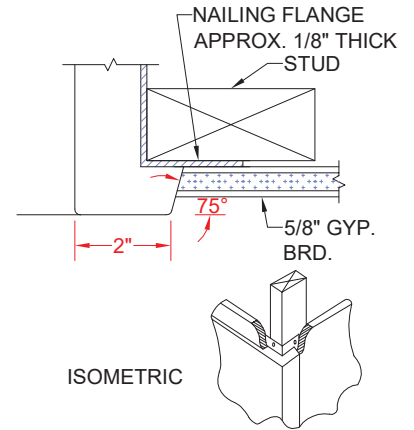
**\*\*OTHER THRESHOLD HEIGHTS AVAILABLE UPON REQUEST\*\***



**DETAIL B - SCALE: 3" = 1'-0"**  
**WALL SECTION DETAIL**



**DETAIL C - SCALE: NTS**  
**TYPICAL FRAMING**



**DETAIL D - SCALE: 3" = 1'-0"**  
**REVEAL DETAIL**