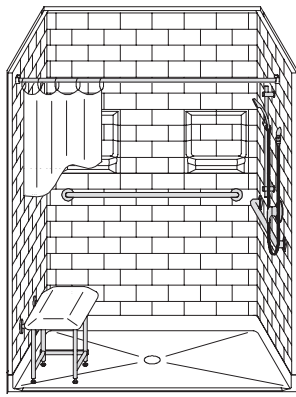


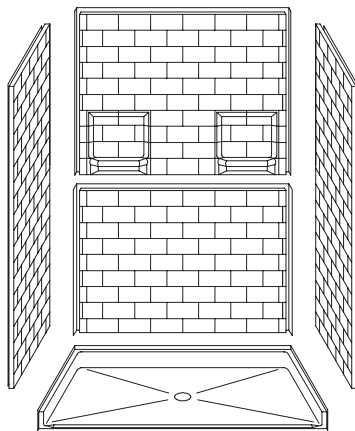
MODEL: 5LBS5436B75B*

BARRIER FREE

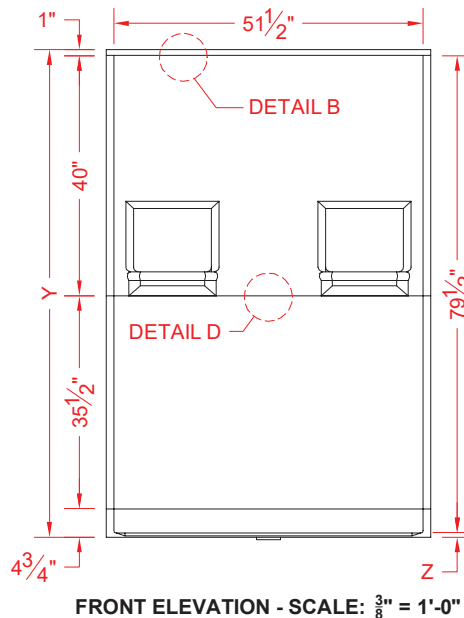
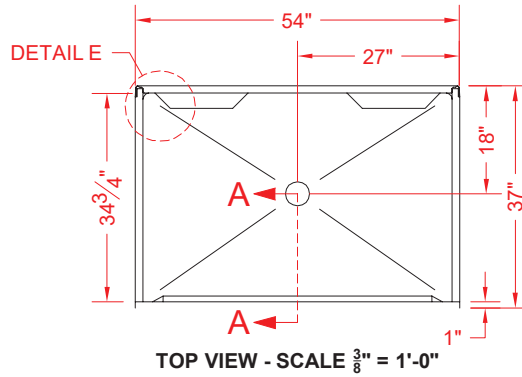
ALL ACCESSORIES OPTIONAL



PERSPECTIVE VIEW - N.T.S.



ASSEMBLY VIEW - N.T.S.



Features:

- Molded, five-piece gelcoat/fiberglass shower module
- "Subway Tile" wall finish, white (standard)
- Integral full wood backing for strength and unlimited accessory placement
- On all threshold heights 1-1/2" or taller, no mud set is required
- On all threshold heights 1-1/4" or shorter, no mud set is required and an anchoring adhesive kit is supplied

| MODEL # | UNIT HEIGHT Y | THRESHOLD HEIGHT Z* |
|--------------|---------------|---------------------|
| 5LBS5436B75B | 81-1/4" | 3/4" MIN. |
| 5LBS5436B2B | 82-1/2" | 2" MAX. |

* - SEE BACK FOR DETAIL SECTIONS

PRODUCT SPECIFICATIONS:

- Multi-piece shower module shall be constructed of gelcoat/fiberglass with full integral plywood backing
- Rough-In: Stud opening +1/4" -0" Nominal Dimensions.

C.S.I. FORMAT SPECIFICATION TEXT AVAILABLE

PRODUCT INFORMATION:

- Accessories: Polished chrome/satin stainless standard, others available.
- Colors: White as standard, others to match any major fixture manufacturer, also available with sprayable solid surface in many colors
- Custom curb heights, other than shown, are available (between min. and max.)

ACCESSORIES:

INSTALLED BY OTHERS:

- Grab bar
- Seat, folding
- Mixing valve, pressure balanced, lever handle, preplumbed tree to supply elbow
- Curtain and rod
- T-Shaped rubber WaterStopper kit
- Semi-permanent threshold adaptor
- No-caulk brass drain

CODES:

- Designed and manufactured in compliance with the following standards and codes:
- A.N.S.I. Z124.2 Standards for Plastic Showers

NOTICE OF LIMITATION:

- Does not meet:
- I.P.C. International Plumbing Code
- U.P.C. Uniform Plumbing Code

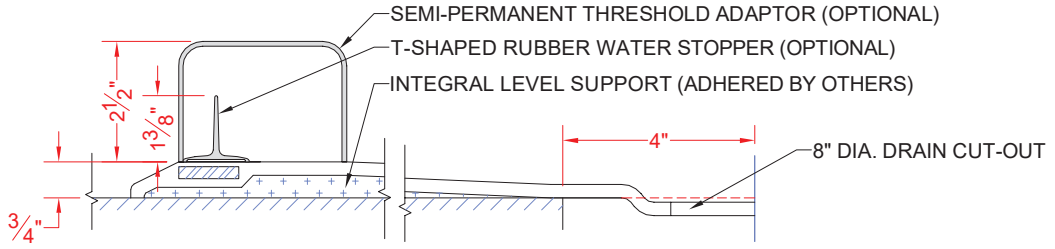


Architectural Products for Barrier Free Living

www.barrierfree.org (877) 717-7027

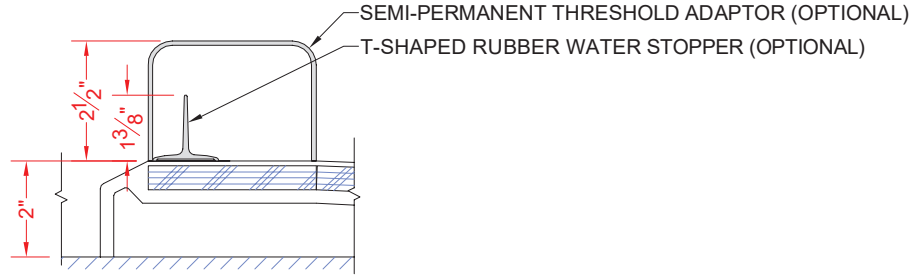
We reserve the right to make revisions without notice in the design of fixtures or in packaging unless this right has specifically been waived at the time the order is accepted.

5LBS5436B75B



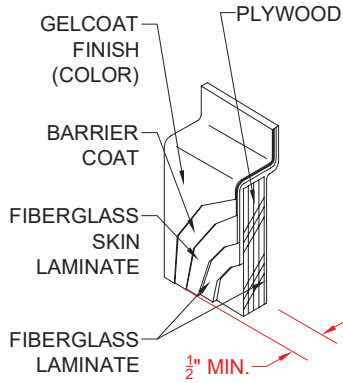
SECTION A-A - SCALE: 3" = 1'-0"

5LBS5436B2B

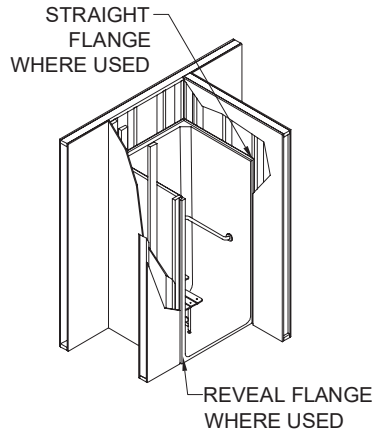


SECTION A-A - SCALE: 3" = 1'-0"

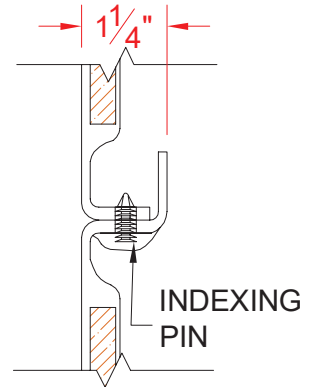
****OTHER THRESHOLD HEIGHTS AVAILABLE UPON REQUEST****



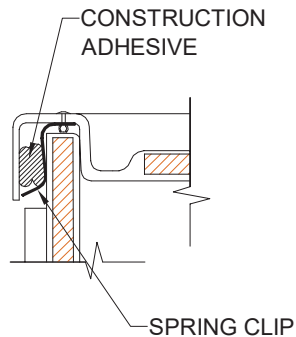
DETAIL B - SCALE: 3" = 1'-0"
WALL SECTION DETAIL



DETAIL C - SCALE: NTS
TYPICAL FRAMING



DETAIL D - SCALE: NTS
BACKWALL JOINT DETAIL



DETAIL E - SCALE: NTS
WALL JOINT DETAIL