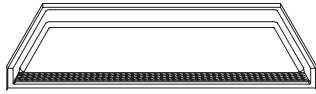


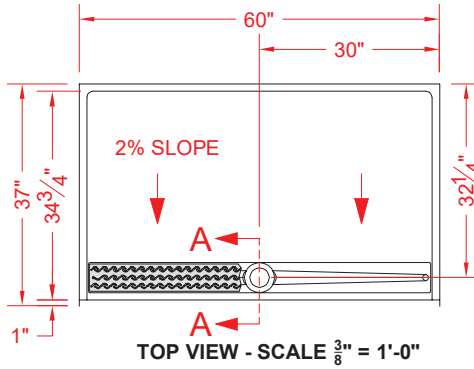
MODEL: P26036B75FTT*

ALL ACCESSORIES OPTIONAL

BARRIER FREE



PERSPECTIVE VIEW - N.T.S.



Features:

- Molded, single-piece gelcoat/fiberglass shower pan with trench drain under a stainless steel grate
- Available in various threshold heights
- On all threshold heights 1-1/2" or taller, no mud set is required
- On all threshold heights 1-1/4" or shorter, no mud set is required and an anchoring adhesive kit is supplied

*OTHER THRESHOLD HEIGHTS AVAILABLE UPON REQUEST



MODEL #	UNIT HEIGHT	THRESHOLD HEIGHT
P26036B75FTT	Y	Z*
P26036B1FTT	5-3/4"	3/4" MIN
P26036B2FTT	6"	1" TYP
P26036B2FTT	7"	2" MAX

* - SEE BACK FOR DETAIL SECTIONS

PRODUCT SPECIFICATIONS:

- Single-piece shower pan shall be constructed of gelcoat/fiberglass and have a stainless steel trench drain grate.
- Rough-In: Stud opening +1/4" / -0" nominal dimensions.

C.S.I. FORMAT SPECIFICATION TEXT AVAILABLE

PRODUCT INFORMATION:

- Accessories: Polished chrome/satin stainless standard, others available.
- Colors: White as standard, others to match any major fixture manufacturer, also available with sprayable solid surface in many colors
- Custom curb heights, other than shown, are available (between min. and max.)

ACCESSORIES:

- INSTALLED BY OTHERS:
-No-caulk brass drain (included with grate)

CODES:

- Designed and manufactured in compliance with the following standards and codes:
-A.N.S.I. Z124.2 Standards for Plastic Showers

NOTICE OF LIMITATION:

- Does not meet:
-I.P.C.A. International Plumbing Code
-U.P.C. Uniform Plumbing Code

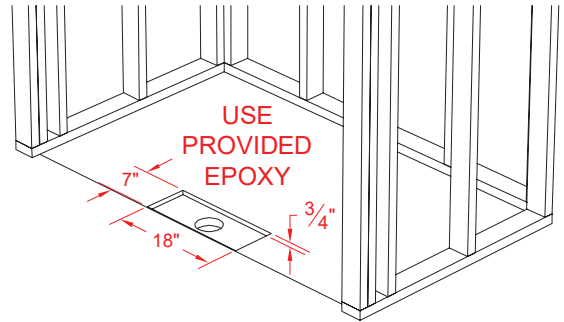
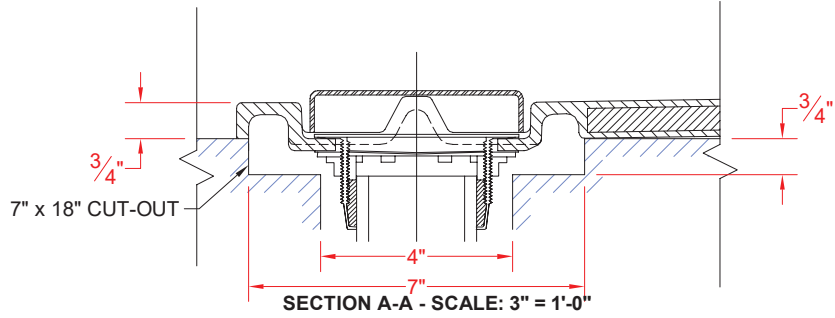


Architectural Products for Barrier Free Living

www.barrierfree.org (877) 717-7027

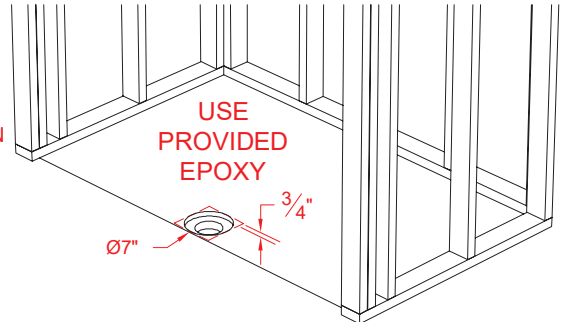
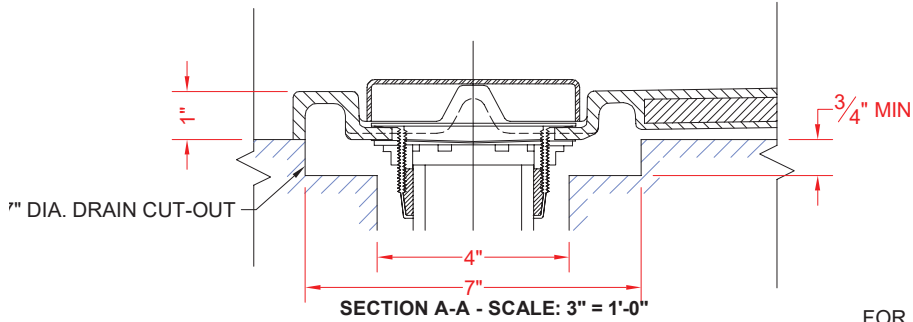
We reserve the right to make revisions without notice in the design of fixtures or in packaging unless this right has specifically been waived at the time the order is accepted.

P26036B75FTT



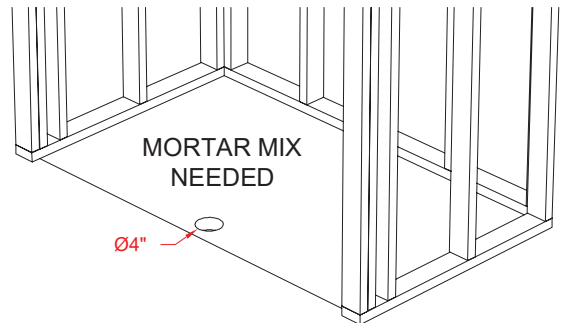
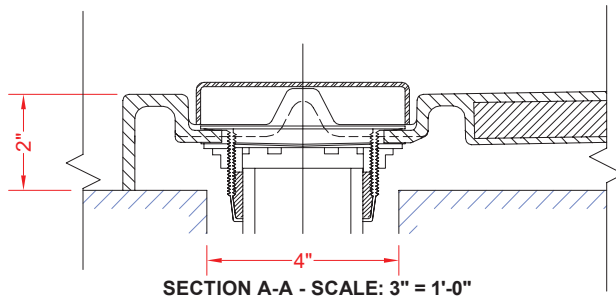
FOR MODELS ENDING IN 75FTT,
INSTALLATION REQUIRES A 7" x 18" x 3/4" CUT-OUT.

P26036B1FTT



FOR MODELS ENDING IN 1FTT OR 12FTT, INSTALLATION
REQUIRES A 7" DIAMETER (OR 7" x 7" SQ) x 3/4" CUT-OUT.

P26036B2FTT



FOR MODELS ENDING IN 15FTT, 17FTT, OR 2FTT,
INSTALLATION REQUIRES A 4" DRAIN HOLE.

ALL SHOWN AS INSTALLED WITH SOLID BRASS, NO-CAULK DRAIN FITTING (INCLUDED, INSTALLED BY OTHERS)