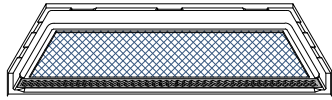


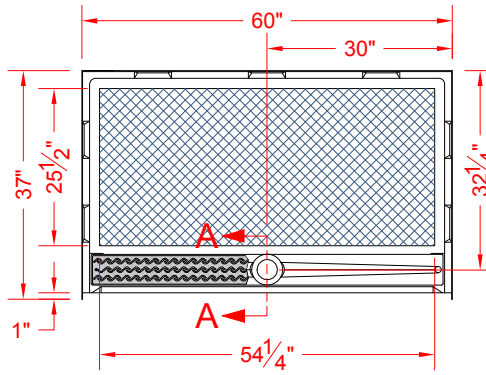
# MODEL: P26036DF1FTB\*

ALL ACCESSORIES OPTIONAL

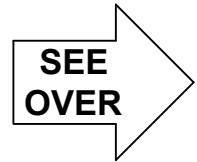
# DESIGNER SERIES



PERSPECTIVE VIEW - N.T.S.  
MODEL SHOWN HERE AS:



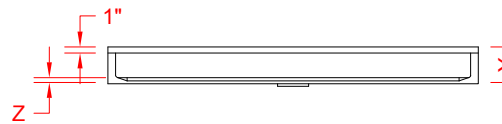
TOP VIEW - SCALE  $\frac{3}{8}$ " = 1'-0"



## Features:

- Molded, one piece gelcoat/fiberglass shower pan with trench drain under a stainless steel grate
- $\frac{3}{8}$ " deep recessed areas to install real ceramic/glass tile accents
- Available in various threshold heights
- On all threshold heights 1-1/2" or taller, no mud set is required
- On all threshold heights 1-1/4" or shorter, no mud set is required and an anchoring adhesive kit is supplied

## \*OTHER THRESHOLD HEIGHTS AVAILABLE UPON REQUEST



FRONT ELEVATION - SCALE:  $\frac{3}{8}$ " = 1'-0"

MODEL #	UNIT	THRESHOLD
	HEIGHT	HEIGHT
P26036DF1FTB	Y	Z*
P26036DF2FTB	6"	1" MIN
	7"	2" MAX

\* - SEE BACK FOR DETAIL SECTIONS

## PRODUCT SPECIFICATIONS:

- One piece shower pan shall be constructed of gelcoat/fiberglass and have a stainless steel drain grate.
- Rough-In: Stud opening +1/4" -0" Nominal Dimensions.

C.S.I. FORMAT SPECIFICATION TEXT AVAILABLE

## PRODUCT INFORMATION:

- Accessories: Factory installed, unless prone to damage during installation/shipping. Polished chrome/satin stainless standard, others available. Stainless steel drain grate and no-caulk brass drain body included.
- Colors: White as standard, others to match any major fixture manufacturer, also available with sprayable solid surface in many colors

## ACCESSORIES:

- INSTALLED BY OTHERS: (INCLUDED)**
- Stainless steel drain grate and hardware
  - Caulkless drain

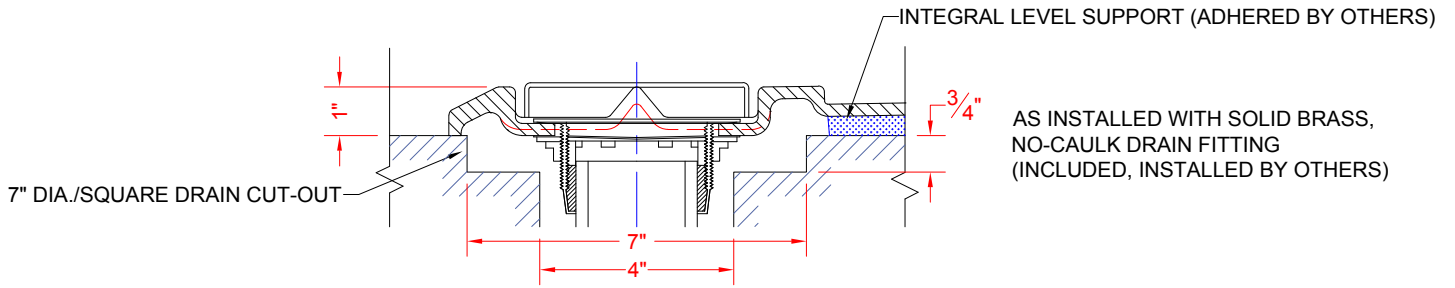
## CODES:

- Designed and manufactured in compliance with the following standards and codes:
- A.N.S.I. Z124.2 Standards for Plastic Showers

## NOTICE OF LIMITATION:

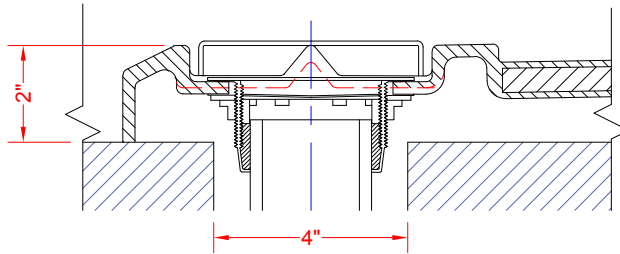
- Adhere to floor as required
- Does not meet:
  - I.P.C. International Plumbing Code
  - U.P.C. Uniform Plumbing Code

P26036DF1FTB



SECTION A-A - SCALE: 3" = 1'-0"

P26036DF2FTB



SECTION A-A - SCALE: 3" = 1'-0"

AS INSTALLED WITH SOLID BRASS,  
NO-CAULK DRAIN FITTING  
(INCLUDED, INSTALLED BY OTHERS)

**\*\*OTHER THRESHOLD HEIGHTS AVAILABLE UPON REQUEST\*\***