

MODEL: P26333A75FTT.V2*

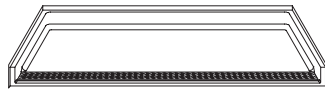
ALL ACCESSORIES OPTIONAL



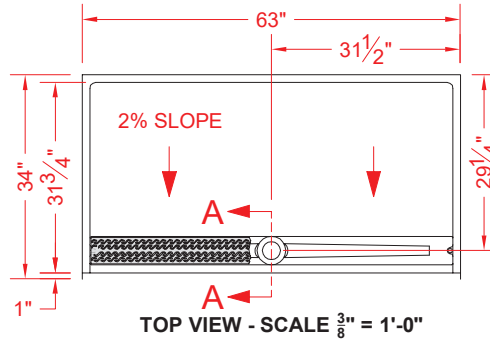
**ADA
COMPLIANT**



CA TITLE 24
COMPLIANT



PERSPECTIVE VIEW - N.T.S.



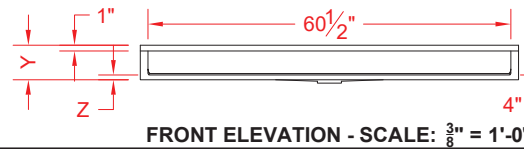
TOP VIEW - SCALE $\frac{3}{8}'' = 1'-0''$



Features:

- ADA compliant roll-in shower pan with trench drain and stainless steel grate with magnetic attachment
- Available in various threshold heights
- Molded gelcoat/fiberglass shower pan

*OTHER THRESHOLD HEIGHTS AVAILABLE UPON REQUEST



FRONT ELEVATION - SCALE: $\frac{3}{8}'' = 1'-0''$

MODEL #	UNIT	THRESHOLD
	HEIGHT	HEIGHT
P26333A75FTT.V2	Y	Z*
P26333A1FTT.V2	5-3/4"	3/4" MIN
P26333A2FTT.V2	6"	1" TYP
	7"	2" MAX

* - SEE BACK FOR DETAIL SECTIONS

PRODUCT SPECIFICATIONS:

- Single-piece shower pan shall be constructed of gelcoat/fiberglass and have a stainless steel trench drain grate with magnetic attachment.
- Rough-In: Stud opening +1/4" / -0" nominal dimensions.

C.S.I. FORMAT SPECIFICATION TEXT AVAILABLE

PRODUCT INFORMATION:

- Accessories: Polished chrome/satin stainless standard, others available.
- Colors: White as standard, others to match any major fixture manufacturer, also available with sprayable solid surface in many colors
- Custom curb heights, other than shown, are available (between min. and max.)

ACCESSORIES:

- INSTALLED BY OTHERS:
- Grab bar
 - Seat, folding
 - Mixing valve, pressure-balancing, lever handle, pre-plumbed tee to supply elbow
 - Curtain and rod
 - No-caulk brass drain (included with grate)

CODES:

- Designed and manufactured in compliance with the following standards and codes:
- A.N.S.I. Z124.2 Standards for Plastic Showers
 - I.P.C. International Plumbing Code
 - U.P.C. Uniform Plumbing Code
 - A.D.A. Accessibility Guidelines for Buildings and Facilities
 - A.N.S.I. A117.1 Accessible and Usable Buildings and Facilities
 - U.P.C. Uniform Plumbing Code
 - California Building Code Title 24, section 11B

NOTICE OF LIMITATION:

- Recess as needed for trench; see page 2
- Recess as needed to meet code
- Adhere to floor as required



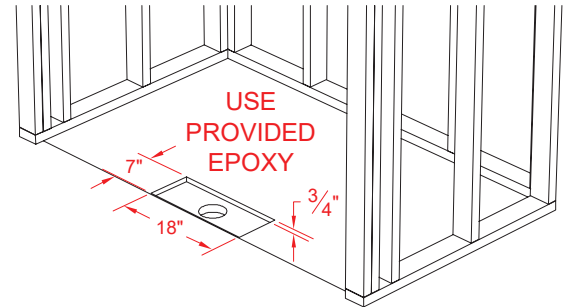
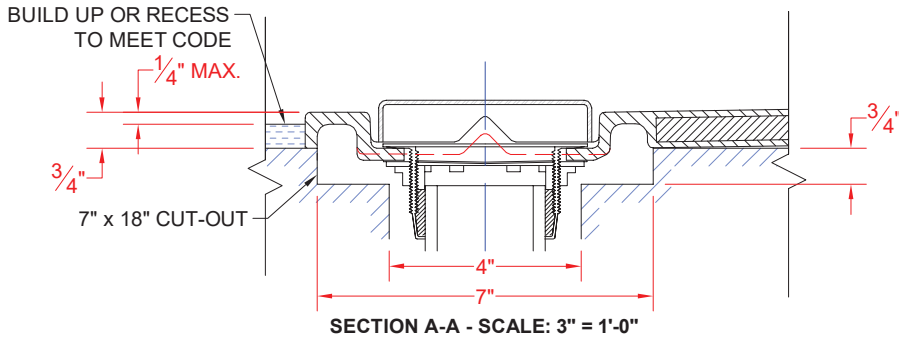
Architectural Products for Barrier Free Living

www.barrierfree.org

(877) 717-7027

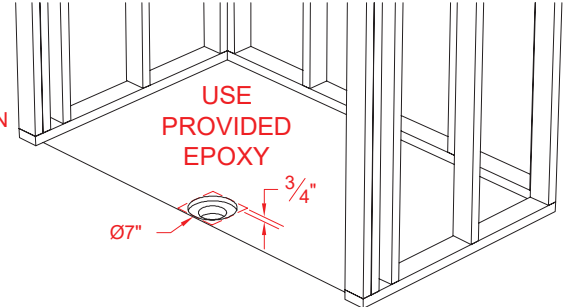
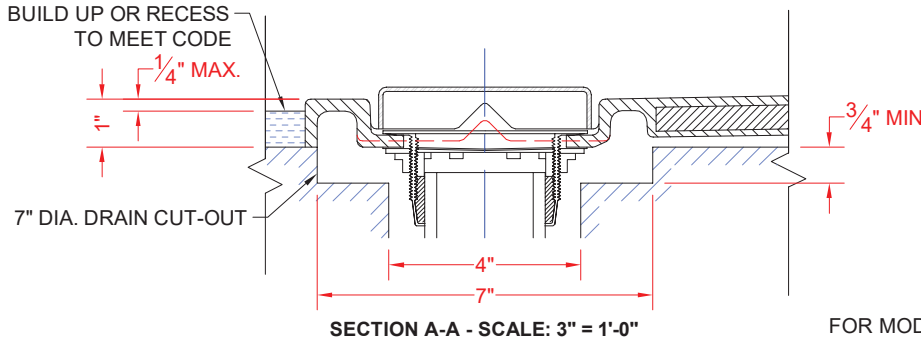
We reserve the right to make revisions without notice in the design of fixtures or in packaging unless this right has specifically been waived at the time the order is accepted.

P26333A75FTT.V2



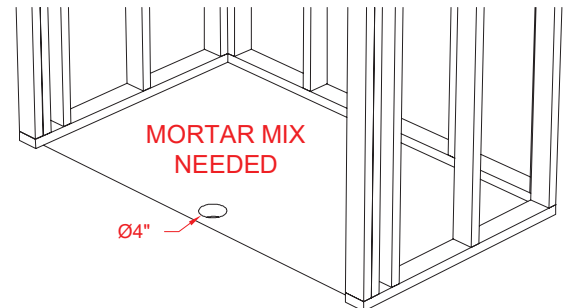
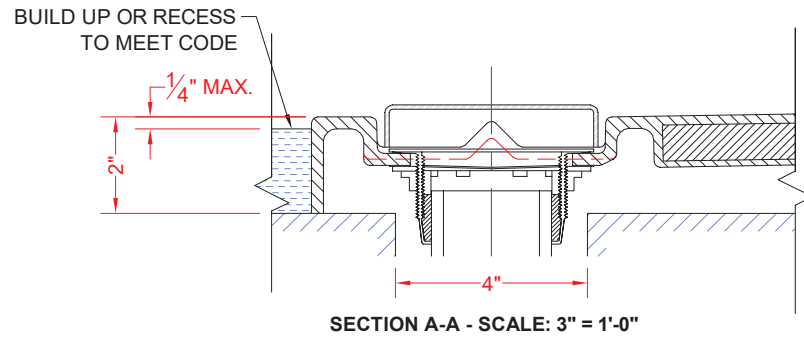
FOR MODELS ENDING IN A75FTT.V2, INSTALLATION REQUIRES A 7" x 18" x 3/4" CUT-OUT.

P26333A1FTT.V2



FOR MODELS ENDING IN A1FTT.V2 OR A12FTT.V2, INSTALLATION REQUIRES A 7" DIAMETER (OR 7" x 7" SQ) x 3/4" CUT-OUT.

P26333A2FTT.V2



FOR MODELS ENDING IN A15FTT.V2, A17FTT.V2, OR A2FTT.V2, INSTALLATION REQUIRES A 4" DRAIN HOLE.

ALL SHOWN AS INSTALLED WITH SOLID BRASS, NO-CAULK DRAIN FITTING (INCLUDED, INSTALLED BY OTHERS)