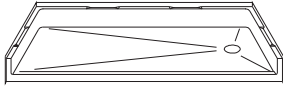


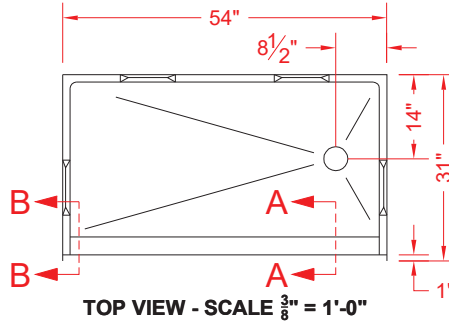
# MODEL: P5430B17T\*

ALL ACCESSORIES OPTIONAL

## BARRIER FREE



PERSPECTIVE VIEW - N.T.S.  
MODEL SHOWN HERE AS:

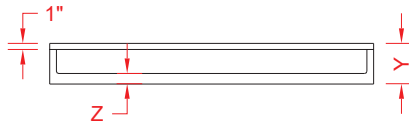


TOP VIEW - SCALE  $\frac{3}{8}'' = 1'-0''$



### Features:

- Molded, one piece gelcoat/fiberglass shower pan
- Available in various Threshold heights
- On all threshold heights 1-1/2" or taller, no mud set is required



FRONT ELEVATION - SCALE:  $\frac{3}{8}'' = 1'-0''$

### \*OTHER THRESHOLD HEIGHTS AVAILABLE UPON REQUEST

MODEL #	UNIT	THRESHOLD
	HEIGHT	HEIGHT
P5430B17T	Y	Z*
P5430B2T	6-3/4"	1-3/4" MIN
	7"	2" MAX

\* - SEE BACK FOR DETAIL SECTIONS

### PRODUCT SPECIFICATIONS:

- One piece shower pan shall be constructed of gelcoat/fiberglass
- Rough-In: Stud opening +1/4" -0" Nominal Dimensions.

C.S.I. FORMAT SPECIFICATION TEXT AVAILABLE

### PRODUCT INFORMATION:

- Colors: White as standard, others to match any major fixture manufacturer, also available with sprayable solid surface in many colors

### ACCESSORIES:

- INSTALLED BY OTHERS:
- T-Shaped Rubber WaterStopper Kit
  - Semi-permanent Threshold Adapter
  - Caulkless drain

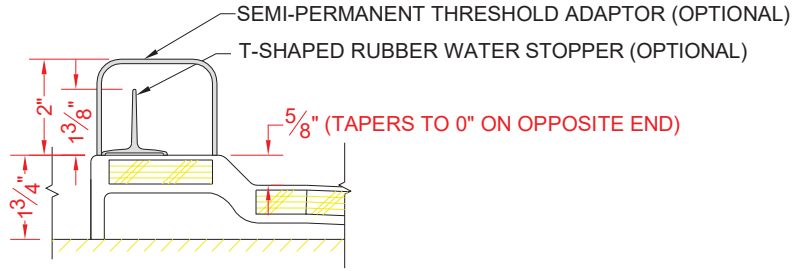
### CODES:

- Designed and manufactured in compliance with the following standards and codes:
- A.N.S.I. Z124.2 Standards for Plastic Showers
  - I.P.C. International Plumbing Code
  - U.P.C. Uniform Plumbing Code

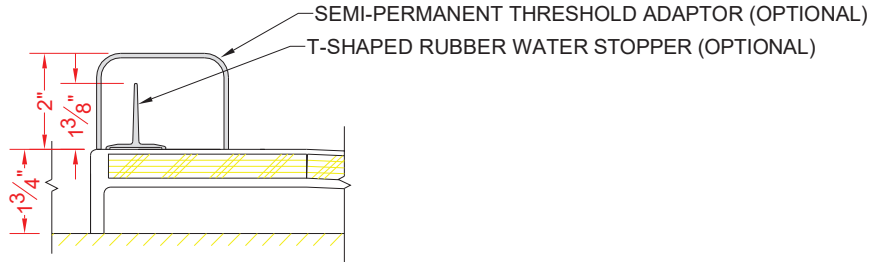
### NOTICE OF LIMITATION:



We reserve the right to make revisions without notice in the design of fixtures or in packaging unless this right has specifically been waived at the time the order is accepted.



SECTION A-A - SCALE: 3" = 1'-0"



SECTION B-B - SCALE: 3" = 1'-0"

**\*\*OTHER THRESHOLD HEIGHTS AVAILABLE UPON REQUEST\*\***