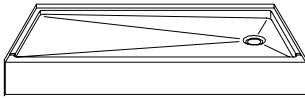


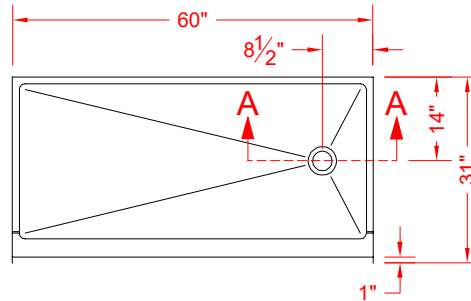
# MODEL: P6030AFR

# REMODELER

ALL ACCESSORIES OPTIONAL



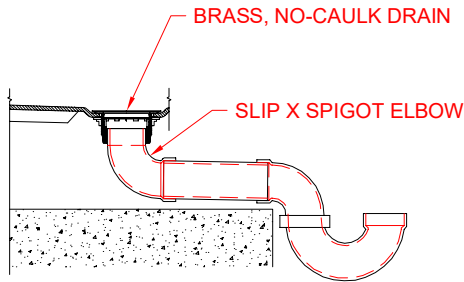
PERSPECTIVE VIEW - N.T.S.



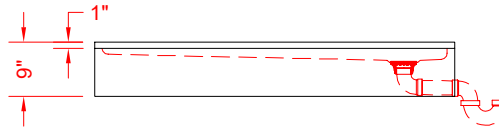
TOP VIEW - SCALE  $\frac{3}{8}'' = 1'-0''$

## Features:

- Gelcoat fiberglass shower pan designed for above-floor rough-in
- No grout cleaning hassles
- No tiles to fall off



SECTION A-A - N.T.S.



FRONT ELEVATION - SCALE:  $\frac{3}{8}'' = 1'-0''$

P TRAP PLUMBING IN STUDWALL IF CODE ALLOWS.  
VARIANCE MAY BE REQUIRED FOR "REMOTE" P TRAP.  
(MAY BE TURNED 90 DEGREES)

## PRODUCT SPECIFICATIONS:

- Single-piece shower pan shall be constructed of gelcoat/fiberglass
- Rough-In: Stud opening +1/4" -0" Nominal Dimensions.

C.S.I. FORMAT SPECIFICATION TEXT AVAILABLE

## PRODUCT INFORMATION:

- Accessories: Factory installed, unless prone to damage during installation/shipping. Polished chrome/satin stainless standard, others available.
- Colors: White as standard, others to match any major fixture manufacturer, also available with sprayable solid surface in many colors

## ACCESSORIES:

INSTALLED BY OTHERS:  
-No-caulk brass drain

## CODES:

Designed and manufactured in compliance with the following standards and codes:  
-A.N.S.I. Z1241.2 Standards for plastic Bathtubs and Showers  
-I.P.C. International Plumbing Code  
-U.P.C. Uniform Plumbing Code

## NOTICE OF LIMITATION:



Architectural Products for Barrier Free Living

www.barrierfree.org

(877) 717-7027

We reserve the right to make revisions without notice in the design of fixtures or in packaging unless this right has specifically been waived at the time the order is accepted.