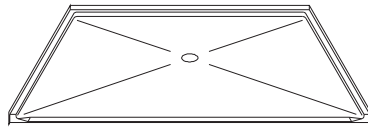


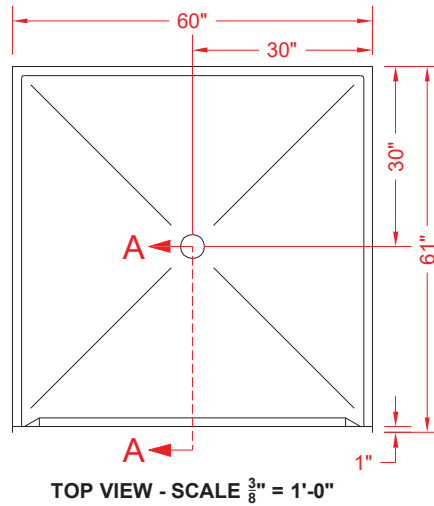
# MODEL: P6060B1B\*



ALL ACCESSORIES OPTIONAL



**PERSPECTIVE VIEW - N.T.S.  
MODEL SHOWN HERE AS:**



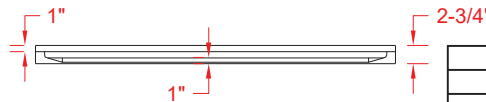
**TOP VIEW - SCALE  $\frac{3}{8}'' = 1'-0''$**



## Features:

- Molded, one piece gelcoat/fiberglass shower pan
- Accessible fiberglass shower pan
- Beveled curb makes for easy access
- Available in various Threshold heights
- On all threshold, heights 1-1/2" or taller, no mud set is required
- On all Threshold, heights 1-1/4" or shorter, no mud set is required, but an epoxy adhesive kit is supplied

## \*OTHER THRESHOLD HEIGHTS AVAILABLE UPON REQUEST



**FRONT ELEVATION - SCALE:  $\frac{3}{8}'' = 1'-0''$**

|           | UNIT HEIGHT | THRESHOLD HEIGHT |
|-----------|-------------|------------------|
| MODEL #   | Y           | Z*               |
| P6060B1B  | 2-3/4"      | 1" MIN           |
| P6060B17B | 3-1/2"      | 1-3/4" MAX       |

\* - SEE BACK FOR DETAIL SECTIONS

## PRODUCT SPECIFICATIONS:

- One piece shower pan shall be constructed of gelcoat/fiberglass
- Rough-In: Stud opening +1/4" -0" Nominal Dimensions.

C.S.I. FORMAT SPECIFICATION TEXT AVAILABLE

## PRODUCT INFORMATION:

- Colors: White as standard, others to match any major fixture manufacturer, also available with sprayable solid surface in many colors

## ACCESSORIES:

- INSTALLED BY OTHERS:
- Collapsible Rubber Water Retainer
  - Semi-permanent Threshold Adapter
  - Caulkless drain

## CODES:

- Designed and manufactured in compliance with the following standards and codes:
- A.N.S.I. Z124.2 Standards for Plastic Showers
  - I.P.C. International Plumbing Code
  - U.P.C. Uniform Plumbing Code

## NOTICE OF LIMITATION:

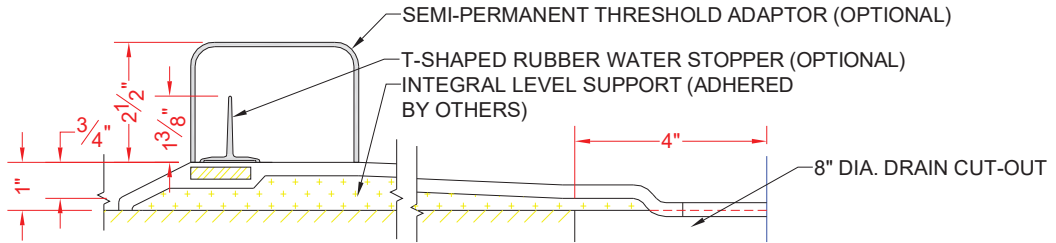


Architectural Products for Barrier Free Living

www.barrierfree.org (877) 717-7027

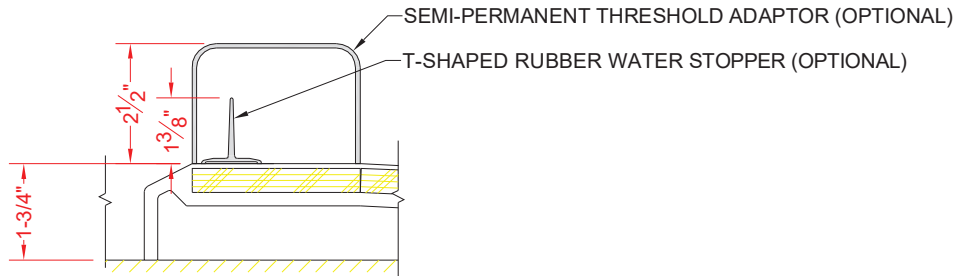
*We reserve the right to make revisions without notice in the design of fixtures or in packaging unless this right has specifically been waived at the time the order is accepted.*

P6060B1B



SECTION A-A - SCALE: 3" = 1'-0"

P6060B17B



SECTION A-A - SCALE: 3" = 1'-0"

**\*\*OTHER THRESHOLD HEIGHTS AVAILABLE UPON REQUEST\*\***