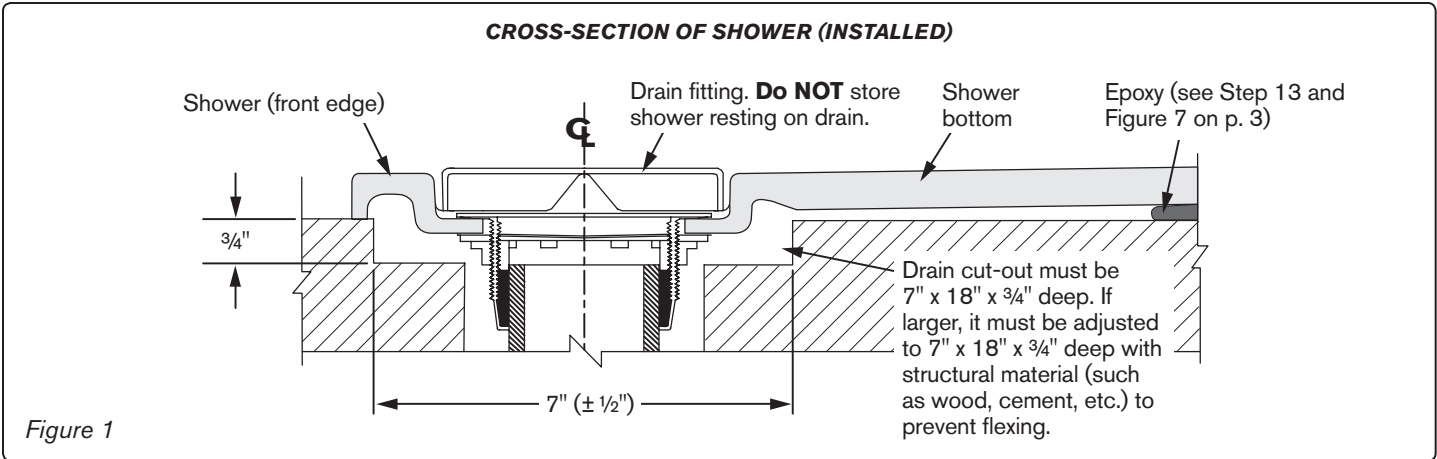


1-Piece Shower with Trench Drain

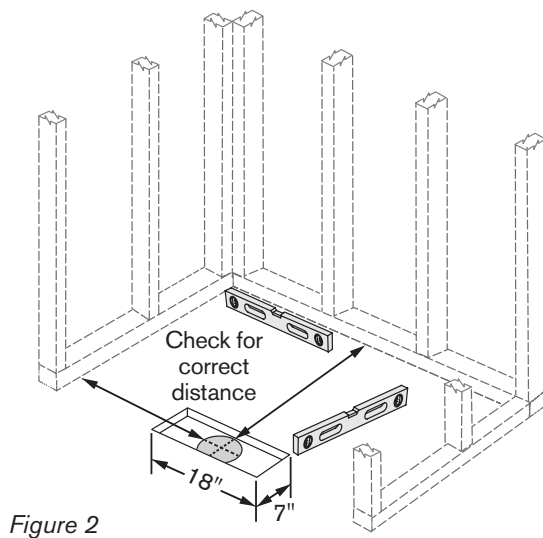
(For models requiring cut-out in floor)



! CAUTION: IF NOT INSTALLED PROPERLY, THE SHOWER MAY NOT PERFORM AS DESIGNED AND WILL NOT BE COVERED BY THE WARRANTY.



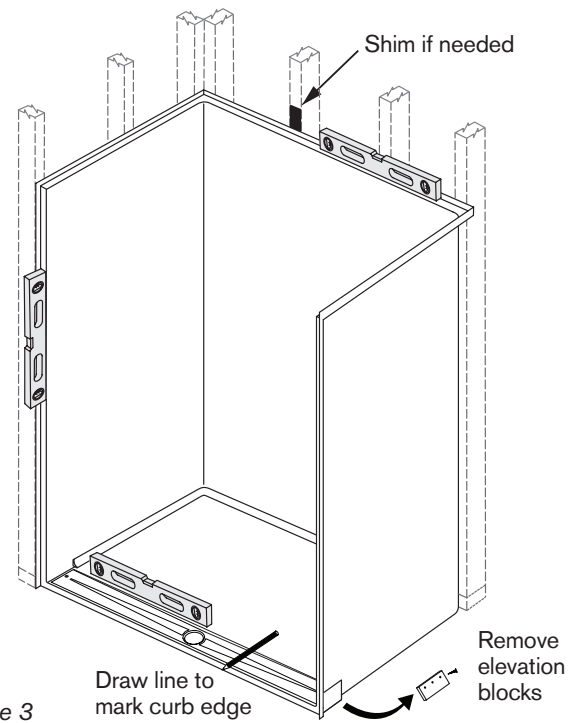
1 Check shower pocket area for level and for correct dimensions. Make sure drain hole in floor is the correct distance from studs and centered in the 7" x 18" x 3/4" deep cut-out. The floor must be within 1/8" of level, especially around drain cut-out. (Figure 2)



! Drain cut-out must be 7" x 18" x 3/4" deep. Drain pipe must be centered in cut-out.

2 Have a plumber prepare drain pipe to receive the drain; the pipe must be centered in the 7" x 18" x 3/4" deep cut-out.

3 **DRY-FIT THE SHOWER:** Unscrew and remove any elevation blocks at front sides and/or back. Set shower unit in the pocket. You **MUST** use a level to ensure shower is level, without low spots, and positioned correctly. Shim if necessary. Draw a line on the floor along front edge of shower. (Figure 3)



4 Remove shower unit from the framing pocket.

5 **INSTALL DRAIN IN SHOWER (see page 2).**

! To avoid deforming the shower bottom, once drain is installed DO NOT store the unit resting on the drain.

(continued on page 2)

1-Piece Trench Drain Shower

INSTALLING NO-CAULK DRAIN

NOTE: Do not complete drain installation steps below until you are ready to dry-fit the shower (see Step 3 on page 1). Resting the shower unit on the drain may deform the base and cause gaps between the floor and shower when installed.

- 6** Remove inside compression nut and compression gasket.
- 7** Apply silicone or plumber's putty around shower drain hole on the inside of shower only. (Figure 4)
- 8** Install drain body in shower drain hole.
- 9** Install rubber gasket, fiber gasket and locking nut; tighten locking nut.

Note: The balance of the drain installation will be done after the shower unit is installed. See Step 16 on page 4.

! To avoid deforming the shower bottom, **DO NOT** rest the shower unit on the drain. This will help prevent gaps between the floor and the shower during installation.

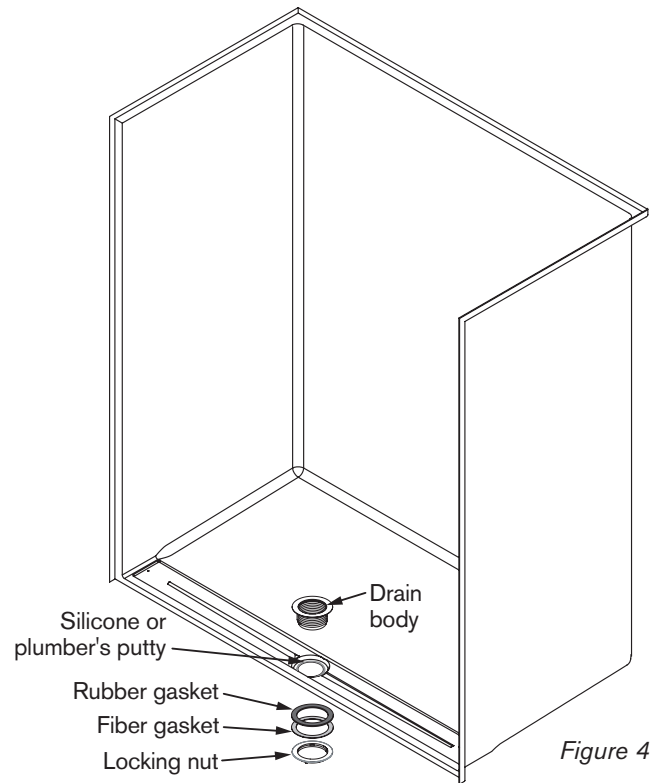


Figure 4

CROSS-SECTION OF NO-CAULK DRAIN (INSTALLED)

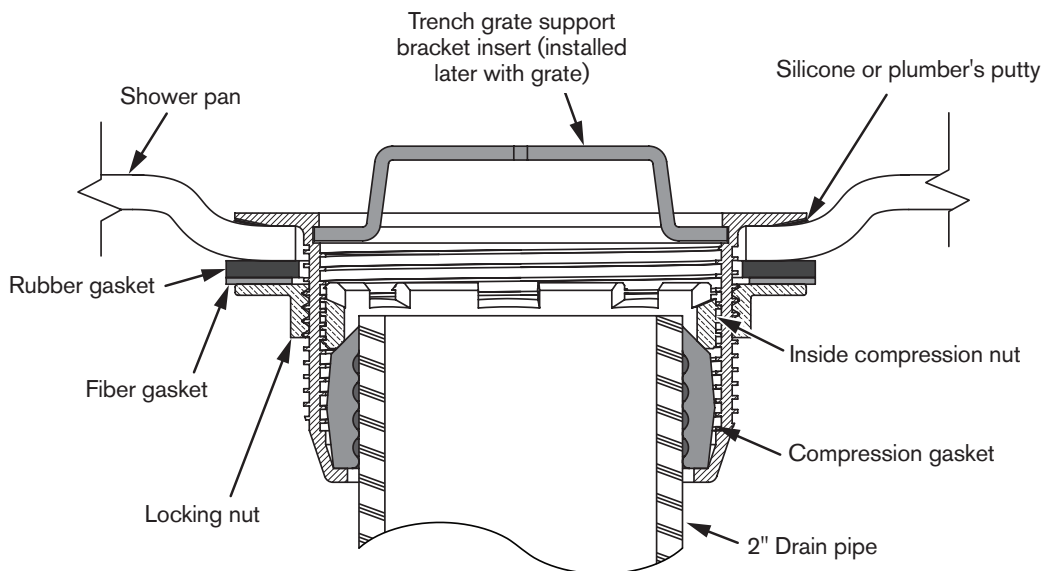


Figure 5

1-Piece Trench Drain Shower

INSTALLING THE SHOWER UNIT (CONTINUED)

- 16 FINISH DRAIN INSTALLATION:** Slide inside compression gasket into drain body and slip over pipe. **Make sure beveled end of inside compression gasket is facing up and flush with pipe surface.** (Figure 10)
- 17** Tighten inside compression nut into drain body using the tool provided. Keep grate support bracket with drain grate until ready to install.
- 18** Check cure time sample from Step 14. When the pieces of scrap wood are bonded, remove weight and screw flanges to framing.
- 19** The grate is typically installed after the room is finished. To avoid damage, store grate in a safe place until it is installed.

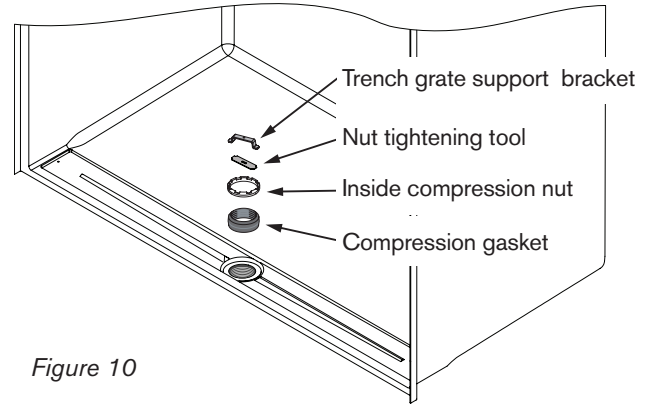


Figure 10

INSTALLING THE TRENCH GRATE

Bestbath now offers two grate types: traditional screw-down or magnetic. First determine which grate you have, then follow the appropriate steps below.

- 1** Gather required parts and tools. Parts supplied by Bestbath include the grate support bracket, one flat-head screw and two pan-head screws.

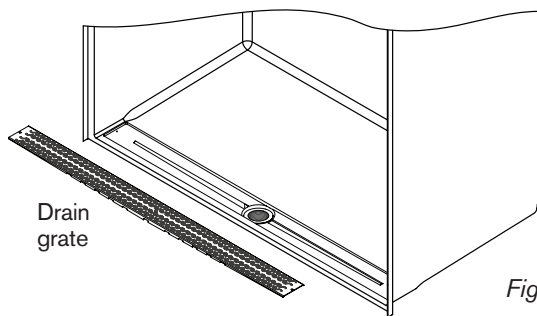
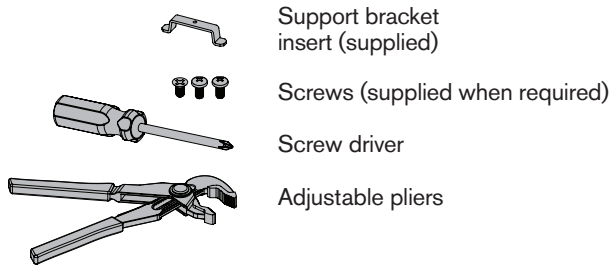


Figure 11

- 2** Using the adjustable pliers, snap the support bracket into the groove in the drain fitting. The top surface of the support bracket should be flush with the top surface of drain pyramids. (Figure 12)

Based on the type of grate you have, proceed to either **3A** or **3B**.

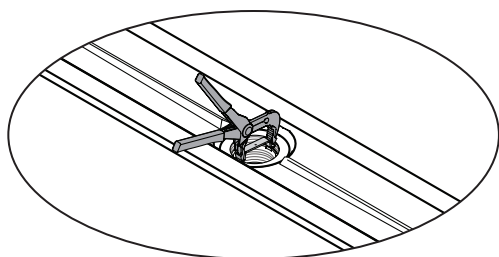


Figure 12

- 3A Magnetic grate:**
Place grate in trench. Check that it is centered both front to back and side to side. Press down firmly to ensure magnets make solid contact.

- 3B Screw-down grate:**
Set the drain grate in place and line up the two outside mounting holes. Then check to see if the center hole is aligned with the threaded hole in the support bracket.

If the center mounting hole does not line up, remove drain grate and adjust support bracket to center the location of the threaded mounting hole. (Figure 13)

When all mounting holes are aligned, install the flat head screw in center hole (A). **Do not tighten.** Then install the two pan head screws in each of the end mounting holes (B). Do not tighten. Once all screws are in place, tighten screw in center first, then tighten screws in the end holes. (Figure 14)

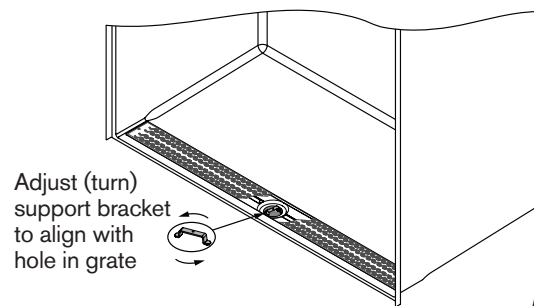


Figure 13

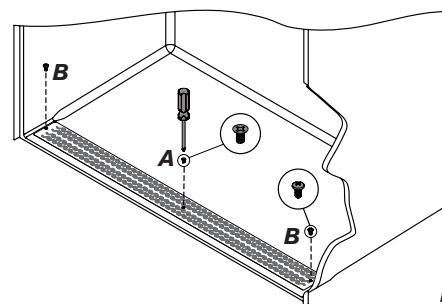


Figure 14