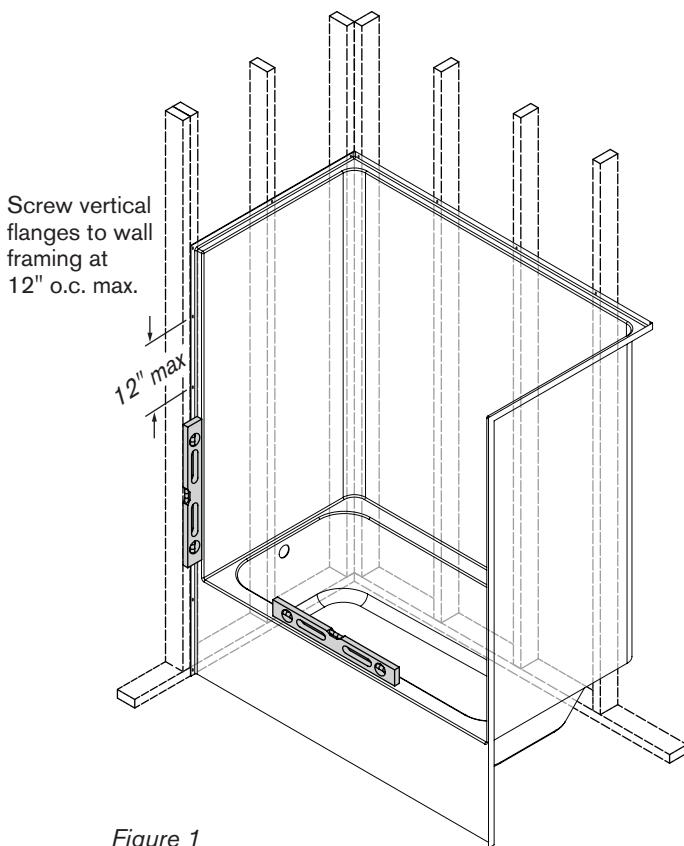


Tub and 1-Piece Tub/Shower

- 1 Check tub/shower pocket area for level and for correct dimensions. Make sure drain hole in floor is in the correct position.
- 2 Have a plumber rough in the plumbing to drain/overflow, valve and outlet.
- 3 Sweep pocket and remove any debris.
- 4 Place the tub or tub/shower unit in pocket, then check for level:
 - **For tub/shower units**, level and square the unit in the opening both horizontally and vertically. Make sure tub drains properly by pouring water in it or checking the tub ledges with a level. If in doubt, remove unit and review the previous steps. (Figure 1)
 - **For tubs only**, make sure tub drains properly by pouring water in it or checking the tub ledges with a level. If in doubt, remove tub and review the previous steps. (Figure 2)
- 5 Screw flanges to wall framing:
 - **With tub/shower units**, screw shower flanges to wall framing at 12" on-center maximum vertically (see Figure 1), and also horizontally at each stud.
 - **For tubs only**, screw tub flanges to wall framing.

1-PIECE TUB/SOWER UNIT



TUB ONLY

