

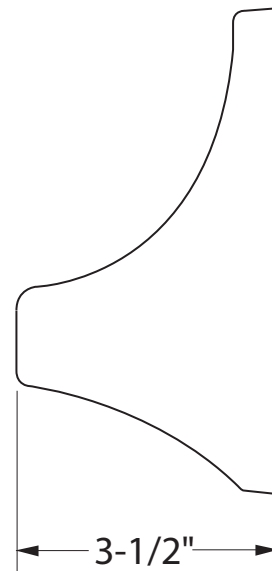
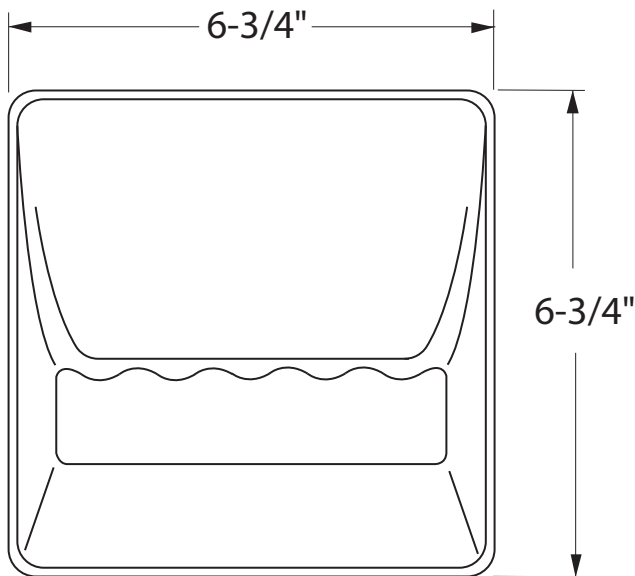
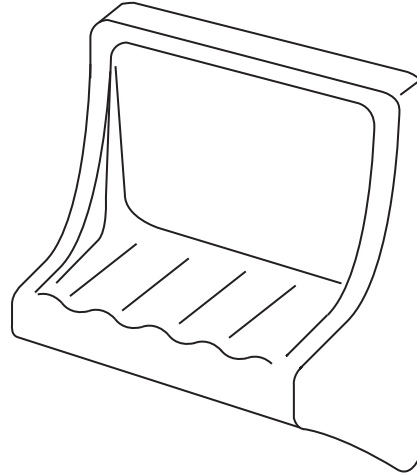


Barrier Free Architecturals
480 E Franklin Rd, #108, Meridian, ID 83646
1(877) 717-7027 or visit: www.barrierfree.org
EMAIL: info@barrierfree.org

Specifications

Soap Dish Surface Mount

SMF



Specifications:

- Solid cast polyurethane
- Finish is gelcoat color matched to shower
- Installed with adhesive
- Joint is caulked at mating surface with shower wall