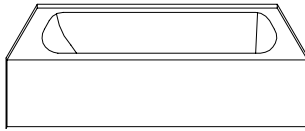


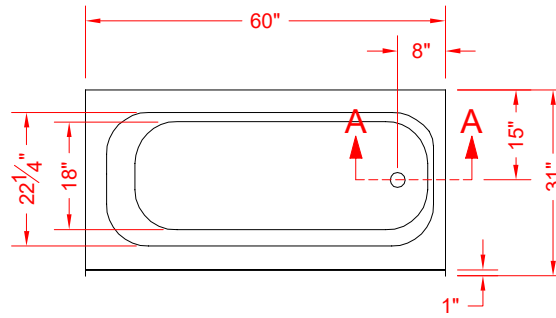
MODEL: T6030.V2

REMODELER

ALL ACCESSORIES OPTIONAL



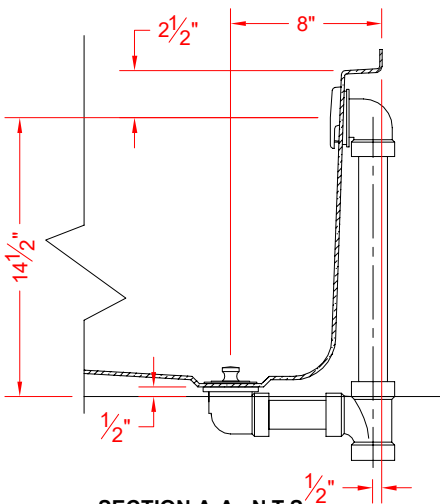
PERSPECTIVE VIEW - N.T.S.
SHOWN HERE AS:
RIGHT HAND



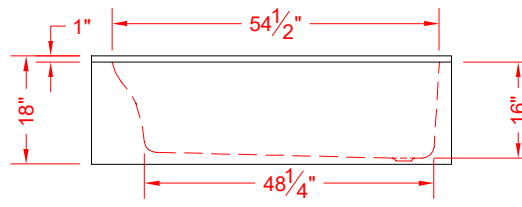
TOP VIEW - SCALE $\frac{3}{8}$ " = 1'-0"

Features:

- Single-piece skirted gelcoat/fiberglass bathtub
- Smooth finish, white (standard)
- Pre-leveled for easy installation



SECTION A-A - N.T.S.
DRAIN / OVERFLOW DETAIL



FRONT ELEVATION - SCALE: $\frac{3}{8}$ " = 1'-0"

PRODUCT SPECIFICATIONS:

- Single-piece soaker bathtub shall be constructed of gelcoat/fiberglass
- Rough-In: Stud opening +1/4" -0" Nominal Dimensions.

C.S.I. FORMAT SPECIFICATION TEXT AVAILABLE

PRODUCT INFORMATION:

- Accessories: Factory installed, unless prone to damage during installation/shipping. Polished chrome/satin stainless standard, others available.
- Colors: White as standard, others to match any major fixture manufacturer, also available with sprayable solid surface in many colors
- Fill volume with 170 lbs bather is 29 gallons

ACCESSORIES:

INSTALLED BY OTHERS:

- Seat, folding

CODES:

- Designed and manufactured in compliance with the following standards and codes:
- A.N.S.I. Z1241.2 Standards for plastic Bathtubs and Showers
 - I.P.C. International Plumbing Code
 - U.P.C. Uniform Plumbing Code

NOTICE OF LIMITATION:



Architectural Products for Barrier Free Living

www.barrierfree.org

(877) 717-7027

We reserve the right to make revisions without notice in the design of fixtures or in packaging unless this right has specifically been waived at the time the order is accepted.