

Metal Shower Seat Installation Guide

Safety Caution: Due to variances in local building codes and requirements, the installation instructions provided are only suggestions and it is advised that you contact a qualified contractor for application specific advice.

Safety Caution: This seat is intended for sitting purposes only. ONE person at a time. Do not attempt to stand, kneel or use the seat for any other application other than sitting.

Safety Caution: The seat is designed to withstand 400lbs when installed properly. Improper installation may cause bodily harm.

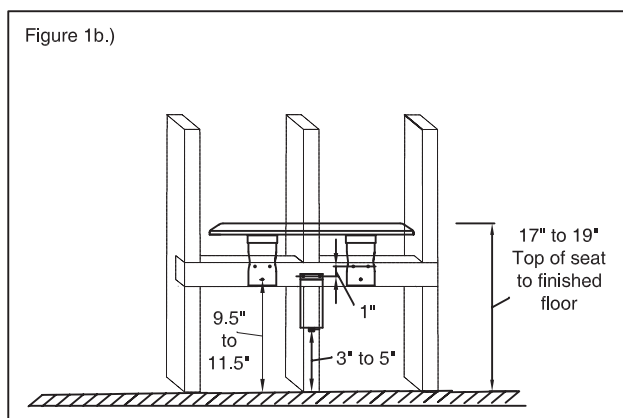
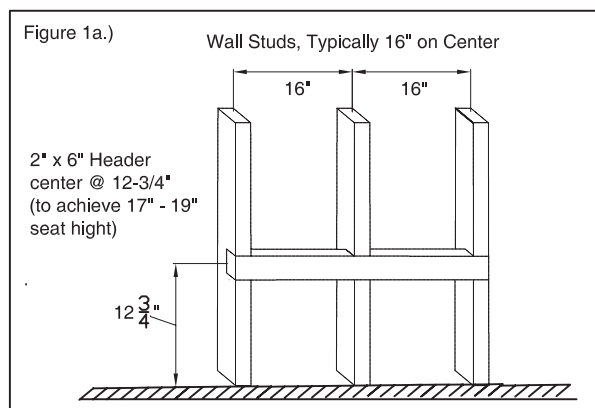
Safety Caution: Discontinue use of the seat if visual signs of fatigue or wear become evident. Regular inspections should be made to confirm that the seat is not pulling away from the wall. If the wall brackets start to pull away from the wall **IMMEDIATELY** discontinue use and call a qualified contractor.

Installation Instructions - Fold Up Shower Seat

Provide no smaller than a 2" x 6" header in the wall for mounting.

Measure from the finished floor up 12-3/4". Center the 2" x 6" horizontally over three wall studs and with the center of the 2"x6" at the 12-3/4" mark.

Notch the wall studs to accommodate the header and attach with no less than 6 - 5/16" x 3" stainless steel lag screws. (as shown in figure 1a.)

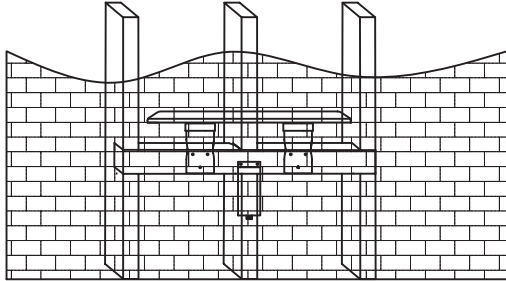


Before finishing the wall, and using the dimensions of your seat, ensure that the two wall brackets and the top two screws of the center wall support will line up with the 2"x6" header, while the third bottom screw of the center wall support will line up with the middle wall stud. (as shown in figure 1b.)

Metal Shower Seat Installation Guide

Continued from page 1....

Figure 2a.)



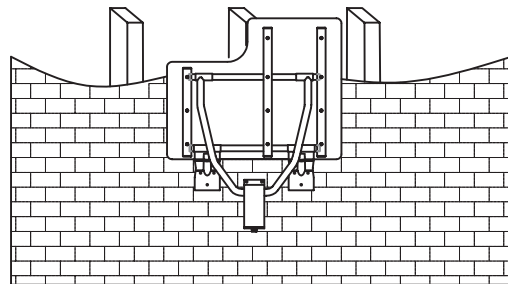
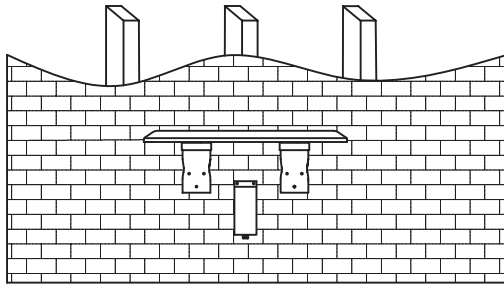
Finish the wall with wallboard & fiberglass shower wall.

With two people, Locate the desired seat position making sure the top of the seat is between 17"-19" from the finished floor. When measuring, the seat must be in the down, usable position. With a 24" level, check from side to side and front to back to ensure the seat is level. A slight 2-3° rise on the seat from the back wall to the front of the seat is recommended.

Make sure the seat raises and lowers smoothly. If installed correctly the seat will remain in the up position by itself and will take little effort to lower it. (as shown in figure 2b.)

Once positioned, using a pencil, mark the three screw holes from both outside wall brackets. Also mark the three holes from the center wall slide bracket. Be careful of it's position, the bottom screw needs to be centered on the middle wall stud with the two top screws fastening to the 2"x6" (as shown in figure 2a.)

Figure 2b.)



Tool Required (not included)
Drill - Electric or Cordless
1/4" Drill bit
24" Level
Tape Measure
Pencil
Silicone Caulking
Screw Driver

Parts List
Seat with two wall brackets (attached)
1 Middle support "slide" bracket
** Mounting hardware not supplied due to variations in wall backing. use appropriate fasteners as recommended by a qualified contractor.**

Note:
Always check
your local
building code