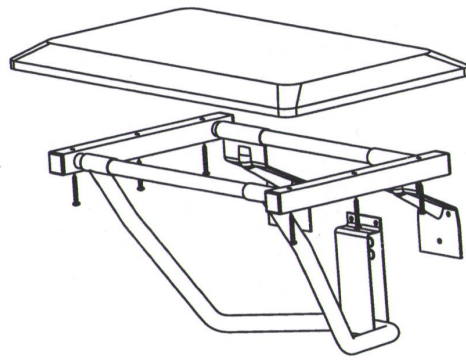
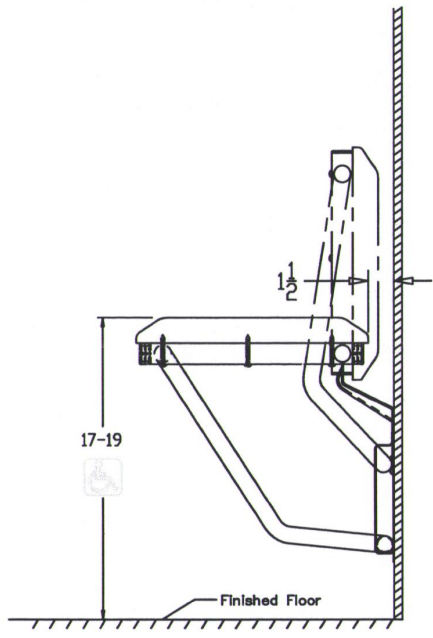
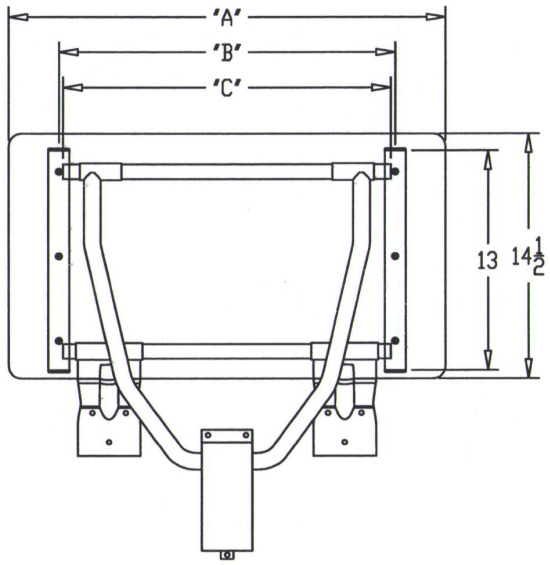
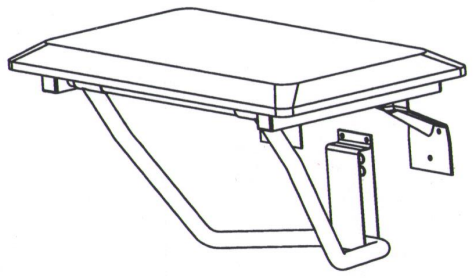


ZONE	REV. #	REVISION DESCRIPTION	DATE	APPROVED



WHITE: 6R2-62PAD*A*01
ALMOND: 6R2-62PAD*A*02



DIMENSIONS ARE IN INCHES
TOLERANCES:
FRACTIONAL ± 3/16"
ANGULAR ± 2°
TWO PLACE DECIMAL ± .125"



MATERIAL

FINISH

62 SERTIES PADDED SEAT

SEAT SIZE "A"	26	27	27.5	28	28.5	30	32	33.5	34
FRAME SIZE "B"	20	21	21.5	22	22.5	24	26	27.5	28
7/8" TUBE SIZE "C"	19.5	20.5	21	21.5	22	23.5	25.5	27	27.5

NAME DATE

DRAWN BY TONY Dec,16,04

APPR. BY J.Kubin Dec,16,04

DO NOT SCALE DRAWING

SIZE	DWG. NO.	REV.
A	62-PA	0

WEIGHT: SHEET 1 OF 1